

GASOLINE
AIR COMPRESSOR
OPERATOR'S MANUAL




CAUTION
RISK OF INJURY! READ ENTIRE MANUAL
BEFORE OPERATING! THIS MANUAL IS AN IMPORTANT
PART OF THE AIR COMPRESSOR AND MUST REMAIN
WITH THIS UNIT WHEN YOU SELL OR RENT IT!


TABLE OF CONTENTS

INTRODUCTION	3
SAFETY WARNINGS.....	4
RISK OF EXPLOSION OR FIRE	4
RISK OF BURSTING.....	4
RISK TO BREATHING	5
RISK OF BURNS.....	5
RISK OF FLYING OBJECTS.....	5
RISK FROM MOVING PARTS.....	5
RISK FROM NEGLIGENCE.....	5
RISK OF AIR COMPRESSOR DAMAGE.....	6
GASOLINE AIR COMPRESSOR FEATURES (SINGLE STAGE).....	8
EXPLODED VIEW & EXPLANATION OF AIR COMPRESSOR FEATURES	9
GASOLINE AIR COMPRESSOR FEATURES (TWO STAGE).....	10
EXPLODED VIEW & EXPLANATION OF AIR COMPRESSOR FEATURES	11
PREPARATION	14
OPERATION	14
MAINTENANCE.....	15
MAINTENANCE CHART	15
TROUBLESHOOTING	16
STATEMENT OF WARRANTY	18

WARNING

 **WARNING:** This product can expose you to chemicals including Lead, which is known to the State of California to cause cancer and birth defects or other reproductive harm. For more information go to www.P65Warnings.ca.gov

WARNING

 **WARNING:** This product can expose you to chemicals including carbon monoxide, which is known to the State of California to cause birth defects or other reproductive harm. For more information go to www.P65Warnings.ca.gov

INTRODUCTION

Congratulations on the purchase of your new Air Compressor! You can be assured your new Air Compressor was constructed with the highest level of precision and accuracy. Each component has been rigorously tested by technicians to ensure the quality, endurance and performance of this air compressor.

This operator's manual was compiled for your benefit. By reading and following the simple safety, installation and operation, maintenance and troubleshooting steps described in this manual, you will receive years of troublefree operation from your new Air Compressor. The contents of this manual are based on the latest product information available at the time of publication. The manufacturer reserves the right to make changes in price, color, materials equipment, specifications or models at any time without notice.



IMPORTANT!

A "DANGER, WARNING or CAUTION" safety warning will be surrounded by a "SAFETY ALERT BOX". This box is used to designate and emphasize Safety Warnings that must be followed when operating this air compressor. Accompanying the safety warnings are "Signal Words" which designate the degree or level of hazard seriousness. The "Signal Words" used in this manual are as follows:

DANGER: INDICATES AN IMMINENTLY HAZARDOUS SITUATION WHICH, IF NOT AVOIDED, WILL RESULT IN DEATH OR SERIOUS INJURY.

WARNING: INDICATES A POTENTIALLY HAZARDOUS SITUATION WHICH, IF NOT AVOIDED, COULD RESULT IN DEATH OR SERIOUS INJURY.

CAUTION: INDICATES A POTENTIALLY HAZARDOUS SITUATION WHICH, IF NOT AVOIDED MAY RESULT IN MINOR OR MODERATE INJURY OR DAMAGE TO THE AIR COMPRESSOR.

The symbols set below this paragraph are "Safety Alert Symbols". These symbols are used to call attention to items or procedures that could be dangerous to you or other persons using this equipment.



ALWAYS PROVIDE A COPY OF THIS MANUAL TO ANYONE USING THIS EQUIPMENT. READ ALL INSTRUCTIONS IN THIS MANUAL AND ANY INSTRUCTIONS SUPPLIED BY MANUFACTURERS OF SUPPORTING EQUIPMENT BEFORE OPERATING THIS AIR COMPRESSOR AND ESPECIALLY POINT OUT THE "SAFETY WARNINGS" TO PREVENT THE POSSIBILITY OF PERSONAL INJURY TO THE OPERATOR.

INSPECTION

UNBOX THE AIR COMPRESSOR AND WRITE IN THE SERIAL NUMBER IN THE SPACE PROVIDED BELOW. INSPECT FOR SIGNS OF OBVIOUS OR CONCEALED FREIGHT DAMAGE. BE SURE THAT ALL DAMAGED PARTS ARE REPLACED AND ANY MECHANICAL PROBLEMS ARE CORRECTED PRIOR TO THE OPERATION OF THE AIR COMPRESSOR.

SERIAL NUMBER _____

If you have questions, contact your Customer Service Representative at 1-800-553-9053

Please have the following information available for all service calls:

1. Model Number
2. Serial Number
3. Date and Place of Purchase

SAFETY WARNINGS

RISK OF EXPLOSION OR FIRE



Serious injury or death may occur from normal sparks in the engine ignition system or engine exhaust/muffler.

Always operate air compressor in a well ventilated area free of flammable vapors, combustible dust, gases or other combustible materials.

DO NOT SMOKE if spraying flammable material. Locate the air compressor at least 20 feet away from the spray area. (An additional hose may be required.)

Injury or death may occur as a result of improper fueling.

Do not smoke while filling engine fuel tank.

Never fill the engine fuel tank while the engine is running or hot. Allow the engine to cool two minutes before refueling.

Do not refuel indoors or in a poorly ventilated area.

Always refuel slowly to avoid the possibility of spilled fuel which may cause a risk of fire.

Do not operate the unit if gasoline is spilled. Wipe the air compressor clean and move it away from the spill. Avoid creating any ignition until the gasoline has evaporated.

Do not store the air compressor near an open flame or any equipment such as a stove, furnace, water heater, etc. which utilizes a pilot light or sparking device.

Serious injury may occur if any air compressor ventilation openings are restricted, causing the air compressor to overheat and start a fire.

A spark arrester must be added to the muffler of this engine if it is to be used on any forest covered, brush covered or grass covered unimproved land. The arrester must be maintained in effective working order by the operator.

Never place objects against or on top of air compressor. Operate air compressor at least 12 inches away from any wall or obstruction that would restrict proper ventilation.



RISK OF BURSTING



Serious injury or death may occur from an air tank explosion if air tanks are not properly maintained.

Drain air tank daily or after each use to prevent moisture buildup in the air tank.

If air tank develops a leak, replace the air tank immediately. Never repair, weld or make modifications to the air tank or its attachments. Use only genuine repair parts for your air compressor.

Never make adjustments to the factory set pressures.

Serious injury may occur from an air compressor malfunction or exploding accessories if incorrect system components, attachments or accessories are used.

Never exceed manufacturers maximum allowable pressure rating of attachments.

Because of extreme heat, do not use plastic pipe or lead tin soldered joints for a discharge line.

Never use air compressor to inflate small, low pressure objects such as toys.

SAFETY WARNINGS

RISK TO BREATHING

Serious injury or death could occur from inhaling compressed air. The air stream may contain carbon monoxide, toxic vapors or solid particles.

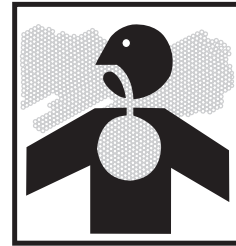
Serious injury or death may occur from inhaling engine exhaust.

Never inhale air from the air compressor either directly or from a breathing device connected to the air compressor.

This air compressor was designed for outdoor use. Never operate this air compressor in an enclosed area. Always make certain there is adequate ventilation (fresh outside air) for breathing and combustion. This will prevent the buildup of dangerous carbon monoxide gases. Beware of poorly ventilated areas, or areas with inadequate exhaust fans.

Sprayed materials such as paint, paint solvents, paint remover, insecticides, weed killers, etc. contain harmful vapors and poisons.

Operate air compressor only in a well ventilated area. Follow all safety instructions provided with the materials you are spraying. Use of a respirator may be required when working with some materials.



RISK OF BURNS

Serious injury could occur from touching exposed metal parts. These areas can remain hot for some time after the air compressor is shutdown.

Never allow any part of your body or other materials to make contact with any exposed metal parts on the air compressor.

Never allow any part of your body to contact the engine muffler or adjacent areas.



RISK OF FLYING OBJECTS

Soft tissue damage can occur from the compressed air stream.

Always wear safety glasses to shield the eyes from flying debris.

Never point the air stream at any part of your body, anyone else or animals.

Serious injury can occur from loose debris being propelled at a high speed from the compressed air stream.

Never leave pressurized air in the air compressor. Shut off air compressor and relieve pressure when storing or attempting maintenance.

Always maintain a safe distance from people and animals while operating the air compressor.

Do not move the air compressor while air tank is under pressure. Do not attempt to move the air compressor by pulling on the hose.



RISK FROM MOVING PARTS

Risk of bodily injury from moving parts.

Before performing maintenance, always turn off air compressor. Bleed pressure from the air hose and disconnect spark plug wire to prevent engine from starting unexpectedly. All repairs to the air compressor should be made by an Authorized Service person.

Do not operate without protective covers/guards. Always turn off air compressor before removing any guard. Replace damaged covers/guards before using the air compressor.



RISK FROM NEGLIGENCE

Risk of injury from negligent use.

SAFETY WARNINGS

Risk of major repair.

Never allow children or adolescents to operate this air compressor!

Stay alert-watch what you are doing. Do not operate the air compressor when fatigued or under the influence of alcohol or drugs.

Know how to stop the air compressor. Be thoroughly familiar with controls.

RISK OF AIR COMPRESSOR DAMAGE

Do not operate air compressor without an air filter.

Do not operate air compressor in a corrosive environment.

Always operate the air compressor in a stable, secure position to prevent air compressor from falling.

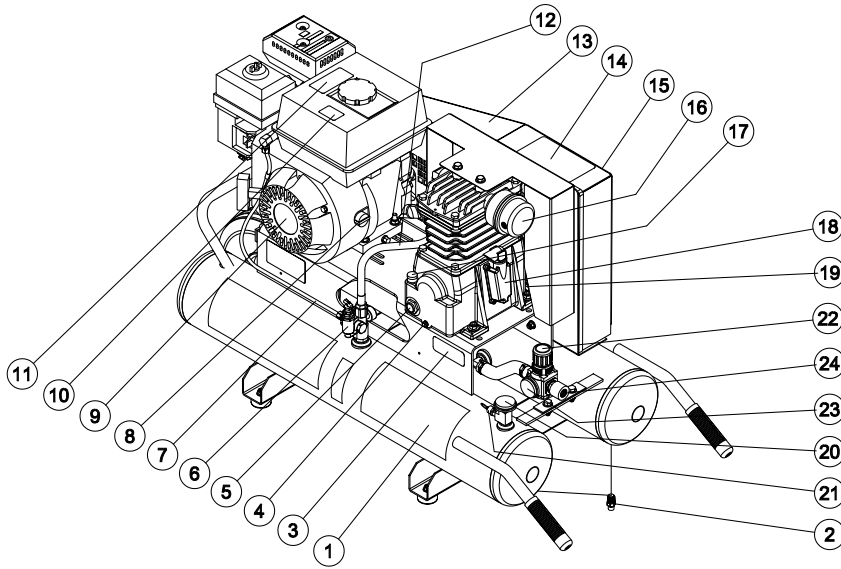
Follow all maintenance instructions listed in this manual.

! SAVE THESE INSTRUCTIONS !

NOTES

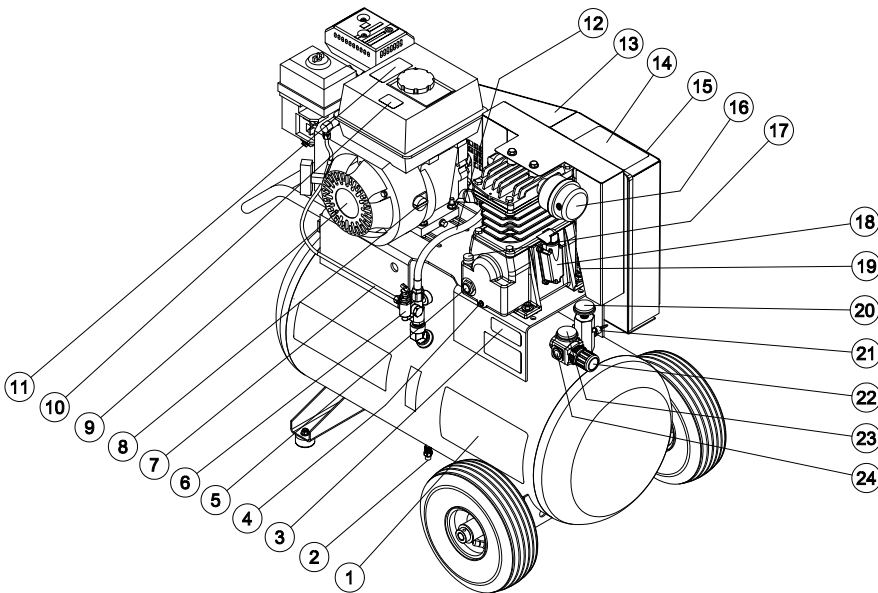
GASOLINE AIR COMPRESSOR FEATURES (SINGLE STAGE)

AC1-PH55-08 FEATURE-041205-DLG

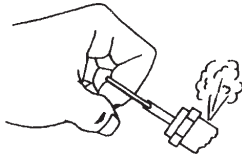


1. Decal: Danger/Warning/Caution
2. Tank Drain Valves
3. Decal- Warning: Hot
4. Pump Oil Drain
5. Oil Sight Glass
6. Pilot Valve
7. Engine Air Throttle Control
8. Engine Switch
9. Engine
10. Decal- Caution: Risk of Fire
11. Decal- Warning: Hot Surface
12. Pump Discharge Line
13. Beltguard
14. Decal- Warning: Risk of Injury
15. Decal- Warning: Beltguard
16. Air Filter
17. Oil Fill Port
18. Pump
19. Ventilation Openings
20. Pressure Gauge - Tank PSI
21. Pressure Relief Valve
22. Pressure Regulator
23. Pressure Gauge - Outlet PSI
24. Outlet Fitting

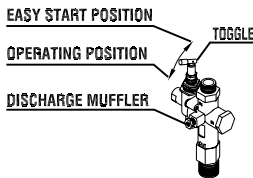
8 AC1-PH55-20M W/THROTTLE CONTROL-041205-DLG



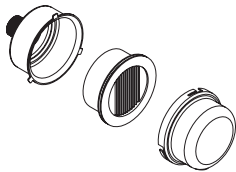
EXPLODED VIEW & EXPLANATION OF AIR COMPRESSOR FEATURES



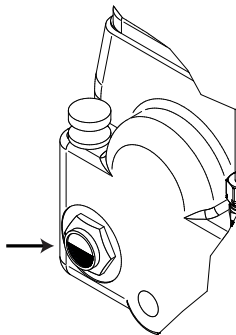
SAFETY RELIEF VALVE: This valve is designed to prevent system failures by relieving pressure from the system when the compressed air reaches a predetermined level. The valve is preset by the manufacturer and must not be modified in any way. To verify the valve is working properly, pull on the ring. Air pressure should escape. When the ring is released, it will reset.



PILOT VALVE: When the toggle is in the upright position, all air from the air compressor is vented through the discharge muffler. This gives an easy start feature. For normal operation, the toggle is in the 90° position.



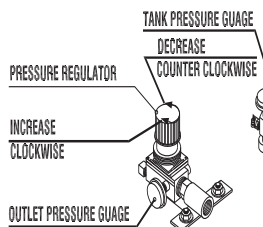
AIR INTAKE FILTER: This filter is designed to clean air coming into the pump. To ensure the pump continually receives a clean, cool, dry air supply this filter must always be clean and ventilation opening free from obstructions. Replace filter element when necessary.



OIL FILL PORT/VENT: Pour oil into the Oil Fill Port/Vent when required.

OIL SIGHT GLASS: The Oil Sight Glass displays the oil level in the pump. The oil level should be at the center of the Oil Sight Glass. If low, add SAE 30W non-detergent oil.

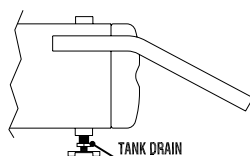
AIR COMPRESSOR PUMP: To compress air, the pistons move up and down in the cylinders. On the downstroke, air is drawn in through the air intake valves while the exhaust valves remain closed. On the upstroke, air is compressed, the intake valves close and compressed air is forced out through the exhaust valves, into the discharge line, through the pilot valve and into the air tank.



AIR TANK PRESSURE GAUGE: The air tank pressure gauge indicates the reserve air pressure in the air tank (s).

PRESSURE REGULATOR: The air pressure coming from the air tank is controlled by the regulator knob. Turn the pressure regulation knob clockwise to increase discharge pressure, and counterclockwise to decrease discharge pressure. (Actual delivered pressure may vary from pump maximum pressure rating)

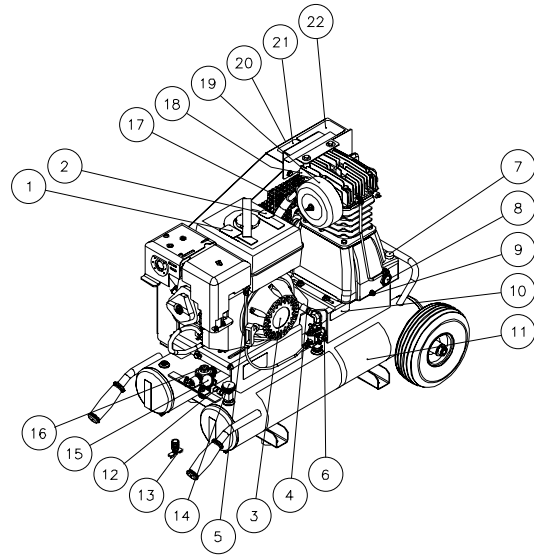
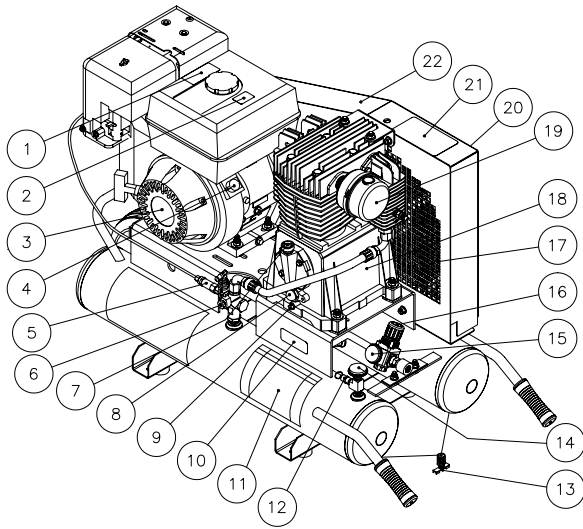
OUTLET PRESSURE GAUGE: The outlet pressure gauge indicates the air pressure available at the outlet side of the regulator. This pressure is controlled by the regulator and is always less or equal to the air tank pressure.



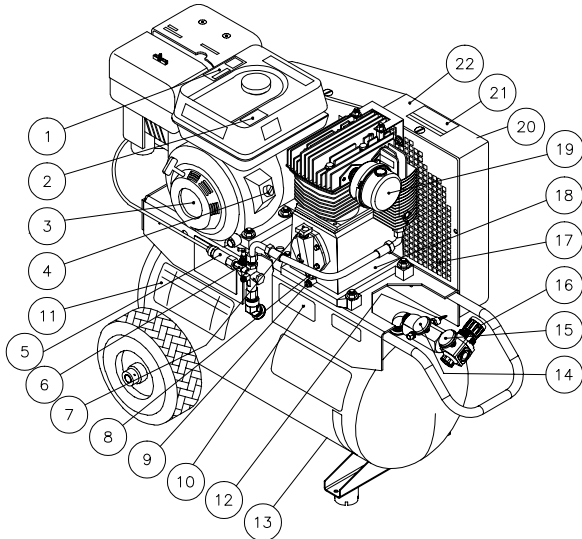
AIR TANK DRAIN VALVE: The drain valve is used to remove moisture from the air tank(s) after the air compressor is shut off. NEVER attempt to open the drain valve when more than 10 PSI of air pressure is in the air tank! To open the drain valve, turn the knob counterclockwise.

GASOLINE AIR COMPRESSOR FEATURES (TWO STAGE)

AC2-PH08-PV09-FEATURES-012704-DLG



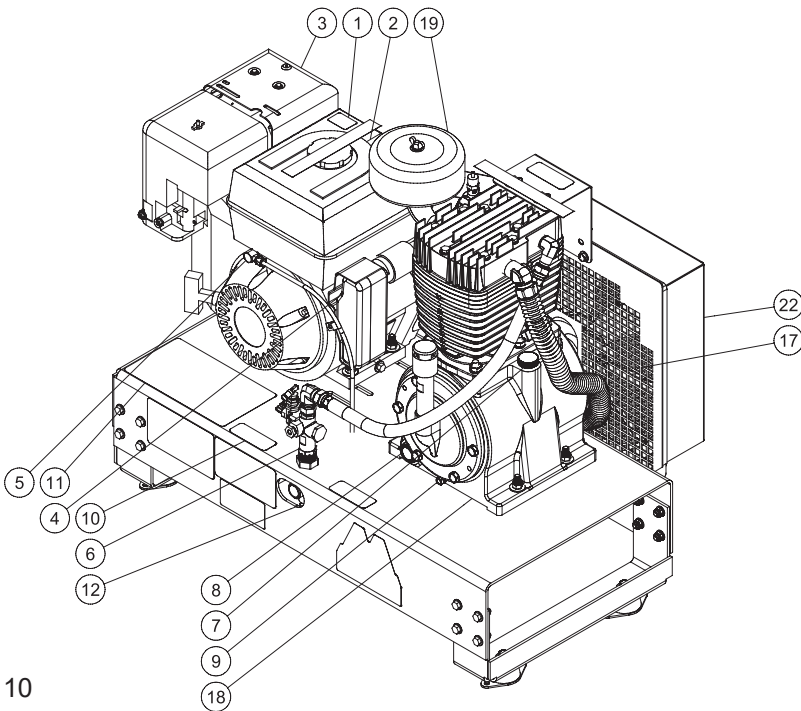
AC2-PH08-PV09-20-FEATURE-012704-DLG



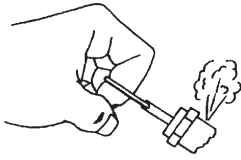
1. Decal- Warning: Hot Surfaces
2. Decal- Warning: Risk of Fire
3. Engine
4. Engine Switch
5. Engine Throttle Control
6. Pilot Valve
7. Oil Fill Port
8. Pump Oil Sight Glass
9. Pump Oil Drain
10. Decal- Warning: Hot
11. Decal- Danger/Warning/Caution
12. Pressure Relief Valve
13. Tank Drain Valves
14. Pressure Gauge- Tank PSI
15. Pressure Gauge- Outlet PSI
16. Pressure Regulator
17. Ventilation Openings
18. Air Compressor Pump
19. Air Filter
20. Decal- Warning: Beltguard
21. Decal- Warning: Injury
22. Beltguard

AS2-PH08-PR09-PV09-08 FEATURES-012704-DLG

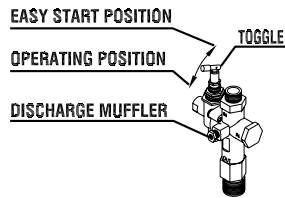
AM2-SH09-B-FEATURE-011509-RSW



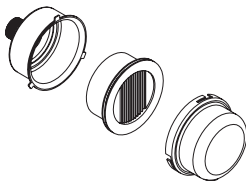
EXPLODED VIEW & EXPLANATION OF AIR COMPRESSOR FEATURES



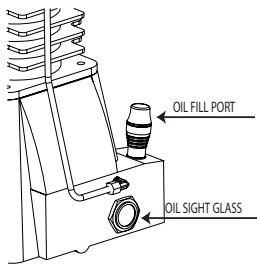
SAFETY RELIEF VALVE: This valve is designed to prevent system failures by relieving pressure from the system when the compressed air reaches a predetermined level. The valve is preset by the manufacturer and must not be modified in any way. To verify the valve is working properly, pull on the ring. Air pressure should escape. When the ring is released, it will reset.



PILOT VALVE: When the toggle is in the upright position, all air from the air compressor is vented through the discharge muffler. This gives an easy start feature. For normal operation, the toggle is in the 90° position.



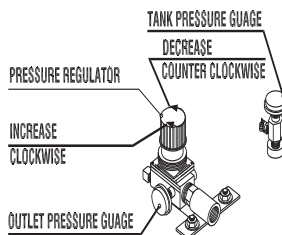
AIR INTAKE FILTER: This filter is designed to clean air coming into the pump. To ensure the pump continually receives a clean, cool, dry air supply this filter must always be clean and ventilation opening free from obstructions. Replace filter element when necessary.



OIL FILL PORT/VENT: Pour oil into the Oil Fill Port/Vent when required.

OIL SIGHT GLASS: The Oil Sight Glass displays the oil level in the pump. The oil level should be at the center of the Oil Sight Glass. If low, add SAE 30W non-detergent oil.

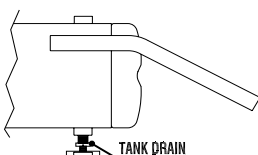
AIR COMPRESSOR PUMP: A two stage compressor pump uses two different size cylinders with the intake valve of the second smaller cylinder linked to the exhaust valve of the first larger cylinder. On the down stroke of the large cylinder, air is drawn through the intake valve while the exhaust valve remains closed. On the up-stroke, air is compressed, the intake valve closes and compressed air is forced out through the exhaust valve, into the inter cooler and through the intake valve of the second smaller cylinder on its down stroke. On the upstroke of the smaller cylinder, the intake valve closes and the compressed air is compressed a second time and forced out the exhaust valve into the discharge line, through the tank check valve and into the air tank.



AIR TANK PRESSURE GAUGE: The air tank pressure gauge indicates the reserve air pressure in the air tank (s).

PRESSURE REGULATOR: The air pressure coming from the air tank is controlled by the regulator knob. Turn the pressure regulation knob clockwise to increase discharge pressure, and counterclockwise to decrease discharge pressure. (Actual delivered pressure may vary from pump maximum pressure rating)

OUTLET PRESSURE GAUGE: The outlet pressure gauge indicates the air pressure available at the outlet side of the regulator. This pressure is controlled by the regulator and is always less or equal to the air tank pressure.



AIR TANK DRAIN VALVE: The drain valve is used to remove moisture from the air tank(s) after the air compressor is shut off. NEVER attempt to open the drain valve when more than 10 PSI of air pressure is in the air tank! To open the drain valve, turn the knob counterclockwise.



**THE FOLLOWING PAGES CONTAIN OPERATING AND MAINTENANCE
INSTRUCTIONS.**

**DO NOT ATTEMPT TO OPERATE THIS AIR COMPRESSOR UNTIL YOU HAVE READ
AND UNDERSTOOD ALL SAFETY PRECAUTIONS AND INSTRUCTIONS LISTED IN
THIS MANUAL.**

**INCORRECT OPERATION OF THIS UNIT CAN CAUSE SERIOUS INJURY!!
DO NOT ALTER OR MODIFY THIS EQUIPMENT IN ANY MATTER!**

PREPARATION

 **WARNING RISK OF EXPLOSION OR FIRE CAUSING SERIOUS INJURY OR DEATH!**

DO NOT ALLOW THE ENGINE OR MUFFLER TO COME IN CONTACT WITH FLAMMABLE VAPORS, COMBUSTIBLE DUST, GASES OR OTHER COMBUSTIBLE MATERIALS. A SPARK MAY CAUSE A FIRE.

WHEN USING THE AIR COMPRESSOR FOR SPRAY PAINTING, PLACE THE AIR COMPRESSOR AS FAR AWAY FROM THE WORK AREA AS POSSIBLE, USING EXTRA AIR HOSES IF NEEDED.

INITIAL SET-UP:

1. Read safety warnings before setting-up air compressor.
2. Ensure the oil level in the air compressor pump is adequate. If low, add SAE 30W non-detergent oil.

LOCATION:

 **DANGER RISK OF EXPLOSION OR FIRE CAUSING SERIOUS INJURY OR DEATH!**

DO NOT SMOKE WHILE FUELING!

DO NOT FILL FUEL TANK WHILE AIR COMPRESSOR IS RUNNING OR HOT. ALLOW AIR COMPRESSOR AND ENGINE TO COOL DOWN FOR TWO MINUTES BEFORE REFUELING.

DO NOT FILL FUEL TANK TO POINT OF OVERFLOWING. ALLOW APPROXIMATELY 1/4" OF TANK SPACE FOR FUEL EXPANSION.

1. In order to avoid damaging the air compressor, do not incline the air compressor transversely or longitudinally more than 10°.
2. Place air compressor at least 12 inches away from obstacles that may prevent proper ventilation. Do not place air compressor in an area:
 - where there is evidence of oil or gas leaks.
 - where flammable gas vapors or materials may be present.
 - where air temperatures fall below 32°F or exceed 104°F.
 - where extremely dirty air or water could be drawn into the air compressor.

GASOLINE ENGINE:

 **WARNING RISK OF EXPLOSION OR FIRE CAUSING SERIOUS INJURY OR DEATH!**

DO NOT PLACE UNIT IN AN AREA WHERE FLAMMABLE GAS VAPORS MAY BE PRESENT. A SPARK COULD CAUSE AN EXPLOSION OR FIRE.

ALWAYS STORE FUEL AWAY FROM THE AIR COMPRESSOR WHILE IT IS RUNNING OR HOT.

1. Review "Risk of Fire or Explosion" before fueling.
2. Read the engine manual accompanying this air compressor for correct engine start-up maintenance procedures.
3. Read and understand the safety labels located on the air compressor.
4. A minimum of 86 octane fuel is recommended for use with this air compressor.

PREPARATION

Do not mix oil with gasoline.

5. Use of clean, fresh, lead free gasoline is recommended. Leaded gasoline may be used if lead free is not available. Do not use gasoline containing methanol or alcohol.
6. Check the engine oil level before starting. (See engine manual.)
7. Fill the fuel tank according to the engine manual instruction.
8. Refer to the engine manual for all necessary maintenance and adjustments.



WARNING RISK OF ASPHYXIATION! DO NOT OPERATE IN AN ENCLOSED AREA. USE THIS PRODUCT ONLY IN WELL VENTILATED AREAS! THE EXHAUST FROM THE ENGINE CONTAINS CARBON MONOXIDE, A POISONOUS, ODORLESS AND INVISIBLE GAS. BREATHING THE GAS CAN CAUSE SERIOUS INJURY, ILLNESS AND POSSIBLE DEATH.



WARNING RISK OF BODILY INJURY! NEVER ATTEMPT TO OPEN THE AIR TANK DRAIN VALVE WHEN MORE THAN 10 PSI OF AIR PRESSURE IS IN THE AIR TANK!

PRE-START CHECKLIST:

1. Check oil level. Add if necessary.
2. Remove any moisture in the air compressor air tank. NEVER attempt to open the Air Tank Drain Valve when more than 10 PSI of air pressure is in the air tank! Remove excessive pressure with an air tool, then open the Air Tank Drain Valve in the bottom of the air tank. Close tightly when drained.
3. Make sure the Engine Switch is in the "OFF" position.
4. Make sure the Safety Relief Valve is working correctly.
5. Make sure all guards and covers are in place and securely mounted.

OPERATION

START-UP:

1. Read safety warnings before performing operation.
2. Flip the toggle on top of the Pilot Valve to the upright position. This provides a loadless start. The air compressor will unload and allow easier engine start-up.
3. Start the engine. (Refer to the Engine Manual accompanying this unit.)
4. When the engine has run for 1-2 minutes, flip toggle back to the original position.
5. Set pressure by adjusting the Pressure Regulator counterclockwise for less pressure and clockwise for more pressure.
6. If you notice any unusual noise or vibration, stop the air compressor and refer to "Troubleshooting".

SHUTDOWN:

1. To stop the air compressor, move the Engine Switch to the "Off" position. (Refer to the Engine Manual accompanying this unit.)
2. Drain air from the air tanks by releasing air with an attached air tool or by pulling on the Safety Relief Valve.
3. Once the Air Tank Pressure Gauge registers under 10 pounds, open the drain valve under each air tank to drain any moisture.
4. Allow the air compressor to cool down.
5. Wipe air compressor clean and store in a safe, non-freezing area.

MAINTENANCE

Read the instruction manual before performing maintenance. The following procedures must be performed when stopping the air compressor for maintenance or service.

1. Turn off air compressor.
2. Disconnect spark plug wire from engine.
3. Open all drains.
4. Wait for the air compressor to cool before starting service.

MAINTENANCE CHART

AC Gas Maintenance Chart

MAINTENANCE CHART				
PROCEDURE	DAILY	WEEKLY	MONTHLY	200 HOURS
Check pump oil level	X			
Check engine oil level	X			
Oil leak inspection	X			
Check engine air filter	X			
Drain condensation in air tank (s)	X			
Inspect guards/covers	X			
Check for unusual noise/vibration	X			
Check for air leaks	X			
Clean exterior of compressor		X		
Inspect air filter		X		
Inspect belt			X	
Check safety relief valve			X	
Change pump oil *				X
Replace air filter				X
Check engine spark plug				X

*The pump oil must be changed after the first 50 hours of operation and every 200 hours or 3 months, whichever comes first.

The engine oil must be changed after the first 8 hours of operation and every 50 hours or 3 months, whichever comes first.

Every 2 years, an Authorized Service Technician should check the check valve, intake valves and delivery valves.

TROUBLESHOOTING

SYMPTOM	PROBABLE CAUSE	REMEDY
Engine will not start.	Various engine problems.	Refer to the engine manual accompanying your air compressor.
	Low engine oil level.	Engine is equipped with an Oil Alert System which will not allow the engine to start if oil level is low. Add oil, if needed.
Noisy operation.	Loose engine pulley or pump flywheel.	Tighten pulley and or flywheel.
	Lack of oil in the pump.	Add correct amount of oil. Check for bearing damage.
	Carbon deposits on pistons or valves.	Remove cylinder head and inspect. Clean or replace.
	Bearing, piston or connecting rod failure.	STOP THE AIR COMPRESSOR! Contact Customer Service.
Pressure drop in air tank or rapid pressure loss when air compressor is shut off.	Air leaks at connections.	Allow air compressor to build pressure to the maximum allowed. Turn off and brush a soapy water solution onto all connections. Check connections for air bubbles. Tighten the connections where leaks are present.
	Air leak in air tank.	Air tank must be replaced. Do not attempt to repair air tank!
	Defective Pilot Valve.	Clean or replace.
Insufficient pressure at air tool or accessory.	Pressure Regulator not turned to high enough pressure or defective.	Adjust Pressure Regulator to proper setting or replace.
	Restricted air intake .	Clean or replace Air Intake Filter.
	Air leaks or restrictions.	Check for leaks and repair.
	Hose or hose connections are too small or long.	Replace with larger hose or connectors.
	Slipping belt.	Tighten or replace.
	Air compressor is not large enough for air requirement.	Check the accessory air requirement. If it is higher than the CFM or pressure supply to the air compressor,
	Restriction in Pilot Valve.	Clean or replace.
Air leaks from Safety Relief Valve.	Possible defective Safety Relief Valve.	Operate Safety Relief Valve manually by pulling on ring. If it still leaks, it should be replaced.
	Excessive air tank pressure.	Clean, reset or replace Pilot Valve.
Air leaks at pump.	Defective gaskets.	Torque head bolts: Single Stage= 17 ft./lbs. Two Stage= 33 ft./lbs.
Air blowing from Air Intake Filter.	Defective inlet (reed) valve.	Contact Customer Service.
Moisture in discharge air.	Condensation in air tank caused by high level of atmospheric humidity or air compressor is not run long enough.	Run air compressor a minimum of one hour to prevent condensation buildup. Drain air tank after every use. Drain air tank more often in humid weather and use an air line filter.

TROUBLESHOOTING

SYMPTOM	PROBABLE CAUSE	REMEDY
Excessive oil consumption or oil in hose.	Restricted Air Intake Filter.	Clean or replace.
	Air compressor on unlevel surface.	Do not incline the air compressor more than 10° in any direction while running.
	Crankcase overfilled with oil.	Drain oil. Refill to proper level with SAE-30W non-detergent oil.
	Wrong viscosity.	Drain oil. Refill with proper SAE-30W non-detergent oil.
	Plugged oil dipstick vent.	Clean.
	Plugged crankcase breather.	Clean or replace.
	Oil leaks.	Torque head bolts: Single Stage= 17 ft./lbs. Two Stage= 33 ft./lbs.
	Worn piston rings or scored cylinder.	Contact Customer Service.
Oil has milky appearance.	Water in oil due to condensation.	Change oil and move air compressor to a less humid environment.

STATEMENT OF WARRANTY

The manufacturer warrants all parts, (except those referred to below), of your new air compressor to be free from defects in materials and workmanship during the following periods:

For Two (2) years from the date of original purchase:

Compressor Pump Plumbing Tank Assembly

For Six (6) months from date of original purchase:

Pressure Switch Regulator

Check Valve Pilot Valve

Copper/stainless steel line

For Ninety (90) days from the date of original purchase:

Pressure Gauges Safety Relief Valves Drain Valves

Defective parts not subject to normal wear and tear will be repaired or replaced at our option during the warranty period. In any event, reimbursement is limited to the purchase price paid.

EXCLUSIONS

1. Engine is covered under separate warranty by its respective manufacturer and is subject to the terms set forth therein.
2. Normal wear parts:
Isolators Air Filter
3. This warranty does not cover parts damaged due to normal wear, abnormal conditions, misapplication, misuse, accidents, operation at other than recommended speeds, pressures or temperature, improper storage or freight damage. Parts damaged or worn by operation in dusty environments are not warranted. Failure to follow recommended operating and maintenance procedures also voids warranty.
4. Labor charges, loss or damage resulting from improper operation, maintenance (other than routine air tank draining and oil changes, if applicable) or repairs made by persons other than an Authorized Service Center.
5. The use of other than Genuine Repair Parts will void warranty. Parts returned, prepaid to our factory or to an Authorized Service Center will be inspected and replaced free of charge if found to be defective and subject to warranty. Under no circumstances shall the manufacturer bear any responsibility for loss of use of the unit, loss of time or rental, inconvenience, commercial loss or consequential damages. There are no warranties which extend beyond the description of the face hereof.

For Service or Warranty consideration, contact:

563-556-7484 / 800-553-9053 / Fax 563-556-1235

Monday-Friday 8:00 a.m. - 5:00 p.m. CST

TABLA DE MATERIAS

INTRODUCCION	20
ADVERTENCIAS IMPORTANTES DE SEGURIDAD	21
RIESGO DE EXPLOSIÓN O DE INCENDIO	21
RIESGO DE ESTALLIDO	21
RIESGOS A LA RESPIRACIÓN.....	22
RIESGO DE QUEMADURAS	22
RIESGO DE OBJETOS VOLANTES	22
RIESGO DE PARTES EN MOVIMIENTO	22
RIESGO DE GRAVES AVERÍAS.....	23
COMPONENTES DE COMPRESOR DE AIRE GASOLINA (ESTAPA SENCILLA)	24
VISTA EXPLOTADA & EXPLICACIÓN DE ELEMENTOS DE COMPRESOR DE AIRE	25
COMPONENTES DE COMPRESOR DE AIRE GASOLINA (SEGUNDA ETAPA)	26
VISTA EXPLOTADA & EXPLICACIÓN DE ELEMENTOS DE COMPRESOR DE AIRE	27
INSTRUCCIONES DE PREPARACIÓN	29
PREPARACIÓN:.....	29
COLOCACIÓN:.....	29
MOTOR DE GASOLINA:.....	29
CONTROLES ANTES DEL ARRANQUE:	30
OPERACIÓN	30
COMENZAR.....	30
APAGAMIENTO:.....	30
MANTENIMIENTO	31
TABLA DE MANTENIMIENTO	31
LOCALIZACIÓN DE AVERÍAS	32
DECLARACIÓN DE GARANTÍA	34

⚠ ADVERTENCIA

⚠ **ADVERTENCIA:** Este producto puede exponerlo a productos químicos, incluido el plomo, que el Estado de California conoce a causar cáncer y defectos congénitos u otros daños reproductivos. Para obtener más información, visite www.P65Warnings.ca.gov

⚠ ADVERTENCIA

⚠ **ADVERTENCIA:** Este producto puede exponerlo a químicos incluyendo carbon monoxide, que es conocido por el Estado de California como causante de defectos de nacimiento u otros daños reproductivos. Para mayor información, visite www.P65Warnings.ca.gov.

INTRODUCCION

¡Felicitaciones por la compra de su nueva compresor de aire gasolina! Puede estar seguro que su compresor de aire gasolina fue construida con el nivel más. Cada componente ha sido probado rigurosamente por técnicos para asegurar la calidad, la resistencia y el rendimiento de esta unidad.

Este manual del operador fue compilado para su beneficio. Leyendo y siguiendo los pasos simples de seguridad, instalación, operación, mantenimiento y localización de fallas descritos en este manual ayudará a prolongar aun más la operación libre de fallas que usted puede esperar de su compresor de aire gasolina. El contenido de este manual está basado en la información actualizada disponible al momento de la publicación. El fabricante reserva el derecho de efectuar cambios en precio, color, materiales, equipo, especificaciones o modelos en cualquier momento sin previo aviso.

¡IMPORTANTE

Estos párrafos están rodeados por una “CASILLA DE ALERTA DE SEGURIDAD”. Esta casilla se usa par designar y enfatizar las Advertencias de Seguridad que deben seguirse al operar esta lavadora a presión. Acompañando a las Advertencias de Seguridad están las “palabras de alerta” que designan el grado o nivel de seriedad de riesgo. Las “palabras de alerta” usadas en este manual son las siguientes:

PELIGRO: INDICA UNA SITUACIÓN INMINENTE RIESGOSA LA CUAL, SI NO SE EVITA, RESULTARA EN LA MUERTE O EN LESIONES GRAVES.

ADVERTENCIA: INDICA UNA SITUACIÓN POTENCIALMENTE RIESGOSA LA CUAL, SI NO SE EVITA, PODRIA RESULTAR EN LA MUERTE O EN LESIONES GRAVES.

PRECAUCION: INDICA UNA SITUACIÓN POTENCIALMENTE RIESGOSA LA CUAL, SI NO SE EVITA PUEDE RESULTAR EN LESIONES MENORES O MODERADAS.

El símbolo indicado a la izquierda de este párrafo es el “Símbolo de Alerta de Seguridad”. Este símbolo se usa para alertarlo acerca de artículos o procedimientos que podrían ser peligrosos para usted u otras personas usando este equipo.



PROVEA SIEMPRE UNA COPIA DE ESTE MANUAL A CUALQUIER PERSONA QUE USE ESTE EQUIPO. LEA TODAS LAS INSTRUCCIONES ANTES DE OPERAR ESTA LAVADORA A PRESION, OBSERVANDO EN PARTICULAR LAS “ADVERTENCIAS DE SEGURIDAD” PARA EVITAR LA POSIBILIDAD DE LESIONES PERSONALES AL OPERADOR.

Escriba el número de serie de su unidad en el espacio provisto abajo, una vez que la unidad haya sido desempacada.

NUMERO DE SERIE _____

Inspeccione por daño el contenido de la caja. Si algo parece dañado, NO LA DEVUELVA AL LUGAR DE COMPRA. Llame a su representante de servicio al cliente de al 800-553-9053.

Por favor tenga disponible la información siguiente para todas las llamadas de servicio:

1. Número de modelo
2. Número de serie
3. Fecha y lugar de compra

ADVERTENCIAS IMPORTANTES DE SEGURIDAD

RIESGO DE EXPLOSIÓN O DE INCENDIO

O fuego chipas normales de sistema de encendido del motor o de exhosto de motor/mofle puede causar lesiones graves y la muerte. .

Siempre funcionar el compresor de aire en ambientes de bien ventilados sin vapores flamables, polvos combusible, gases, o toras materiales combustibles.

No fumar si pulverizando materiales flamables. Poner el compresor de aire más de 20 pisos de ambiente de pulverizar. (Puede necesitar un otro tubo.)

No fumar cuando llenar el tanque de motor con combustible (fuel).

Un resultado de abastecer de combustible incorrecto es lesiones graves y la muerte.

Nunca llenar el tanque del motor con fuel cuando motor es calor o funcionamiento. Permitir el motor 2 (dos) minutos para enfriarse antes de más fuel.

No dar más fuel adentro o en ambientes con mal ventilados.

Siempre reabastecer de fuel despacio para evitar derrames que puede causar riesgo de fuego.

No funcionar el unito si hay derrames de gasolina. Limpiar el compresor de aire y mover afuera de derrame. Evitar encendido o funcionar hasta gasolina ha evaporar.

No guardar el compresor de aire cerca de fuegos o máquinas como una estufa, horno, calentador de agua, etc. cual utilizar una luz piloto o dispositivo de chispas.

Necesitar tener arrestador de chispas en el moefle de este motor para usar con algo tierra que tener hierba o arboles. Esta parte mantener efectuar por operador.

Abiertas limitados de ventilación de compresor de aire puded causar lesiones graves. Necesitar ventilación para evitar excesivo calor y empieza del fuego.

No poner objetos cerca o arriba de compresor de aire. Funcionar compresor de aire más de 12 pulgudos afuera de pared o obstrucción que limitar ventilación apropiado.

RIESGO DE ESTALLIDO

Si no se respeta el mantenimiento adecuado el depósito de aire podría estallar y causar lesiones graves o la muerte.

Vaciar el depósito de aire todos los días o al final de cada uso, para evitar que se acumule la condensación.

Si el depósito de aire tiene una fuga, sustituirlo inmediatamente. No reparar, soldar o modificar jamás el depósito de aire o sus accesorios. Usar sólo piezas originales para el compresor de aire.

El funcionamiento incorrecto del compresor o, en el caso en que se empleen componentes o accesorios inadecuados, el estallido de sus accesorios podría causar lesiones graves o la muerte.

No modificar jamás las presiones ajustadas en al fábrica.

No superar jamás las presiones máximas permitidas de los accesorios, recomendadas por el fabricante.

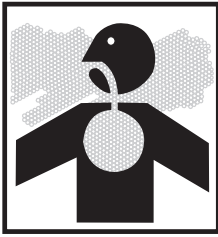
Debido al excesivo calor, no usar tubos de plástico o uniones con soldaduras de plomo en la línea de descarga.

No usar jamás un compresor de aire para inflar objetos pequeños o que requieren poca presión como los juguetes.

Manual de operador de compresor de aire gasolina.



ADVERTENCIAS IMPORTANTES DE SEGURIDAD



RIESGOS A LA RESPIRACIÓN

La inhalación de aire comprimido puede causar lesiones graves e incluso la muerte. El chorro de aire podría contener monóxido de carbono, vapores tóxicos o partículas sólidas.

No inhalar jamás el aire procedente del compresor de aire ni a través de cualquier dispositivo de respiración conectado al compresor de aire.

La inhalación de gases de motor puede causar lesiones graves y la muerte.

Este compresor de aire se diseñó para funcionar en aire libre. Nunca funcionar este compresor de aire en ambientes cerrados, siempre tener ventilación adecuada. Esto prevendrá la acumulación de gases peligrosos que contienen monóxido de carbono. Ten cuidado de ambientes de mal ventilados.

Materiales pulverizados como pinturas, solventes para pinturas, desbarnizadores, insecticidas, herbicidas, etc. contienen vapores dañinos y venenos.

El compresor de aire debe funcionar sólo en ambientes bien ventilados. Atenerse a las instrucciones de seguridad indicadas para los materiales que se pulverizan. Al pulverizar ciertos materiales podría ser necesario usar un respirador.



RIESGO DE QUEMADURAS

El tocar partes metálicas expuestas podría causar lesiones graves. La temperatura en estas zonas no baja inmediatamente al apagar el compresor de aire.

Asegurarse que ninguna parte del cuerpo o de otros materiales entre en contacto con las partes metálicas expuestas del compresor de aire.

Nunca tener contacto de su cuerpo y el motor o ambientes adyacentes.



RIESGO DE OBJETOS VOLANTES

El chorro de aire comprimido podría causar lesiones a los tejidos blandos.

Usar siempre las gafas de protección para proteger los ojos de las partículas volantes.

No dirigir jamás el chorro de aire a cualquier parte de su cuerpo o del cuerpo de otra persona o animal.

La proyección de partículas del chorro de aire comprimido a velocidad elevada puede causar lesiones graves.

No dejar jamás un compresor de aire bajo presión sin vigilancia. Apagar el compresor y descargar la presión antes de efectuar cualquier operación de mantenimiento, conectar cualquier herramienta o accesorio.

Con el compresor de aire en marcha mantener siempre una distancia de seguridad de personas y animales.

No debe moverse el compresor de aire cuando el depósito de aire está bajo presión. No intentar mover el compresor de aire tirando del tubo.



RIESGO DE PARTES EN MOVIMIENTO

Riesgo de lesiones graves de partes en movimiento.

Antes de hacer mantenimiento siempre parar el compresor de aire. Purgar presión de tubo de aire y desmontar el cable de bomba de chispa para impedir el encendido de motor. Todas las reparaciones hacer de personas autorizadas de servicio.

No usar el compresor de aire sin las protecciones de seguridad. Siempre remover el enchufe del compresor de aire antes de remover cualquier guarda.

ADVERTENCIAS IMPORTANTES DE SEGURIDAD

Sustituir las protecciones dañadas antes de encender el compresor de aire.

RIESGO DE NEGLIGENCIA

Un uso negligente del compresor puede ocasionar lesiones.

No permitir jamás que niños o adolescentes pongan en marcha el compresor de aire.

Prestar mucha atención a la operación que se está cumpliendo. No se debe poner en marcha el compresor de aire en caso de cansancio o bajo la influencia de alcohol o drogas.

Es necesario saber apagar el compresor de aire. Es preciso conocer bien todos los mandos.

No encender el compresor de aire sin el filtro de aire.

RIESGO DE GRAVES AVERÍAS.

No encender el compresor de aire sin el filtro de aire.

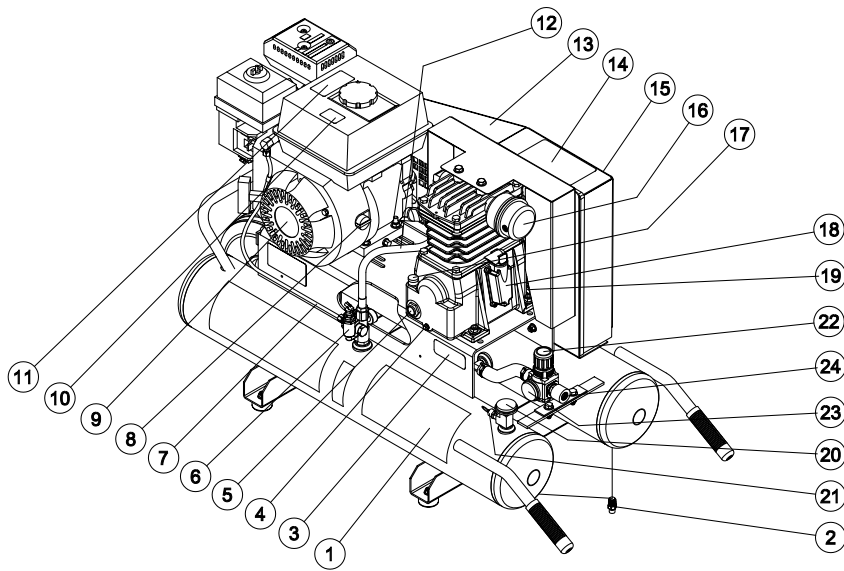
No encender el compresor de aire en un ambiente corrosivo. El compresor de aire debe funcionar en una posición estable y segura para prevenir que caiga.

Atenerse a las instrucciones de mantenimiento descritas en este manual.

¡GUARDE ESTAS INSTRUCCIONES!

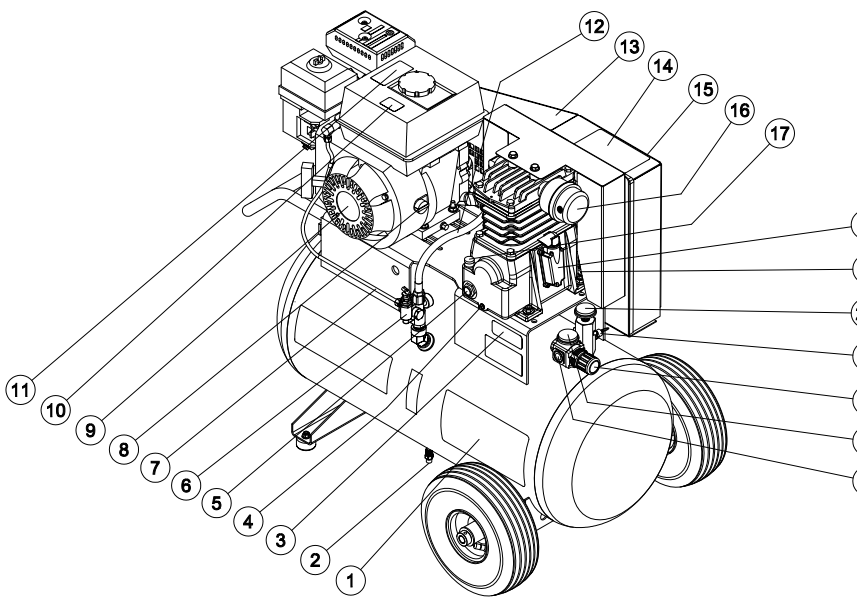
COMPONENTES DE COMPRESOR DE AIRE GASOLINA (ESTAPA SENCILLA)

AC1-PH55-08 FEATURE-041205-DLG

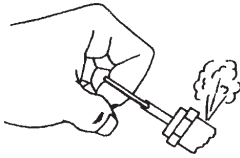


1. Calcomanía- Peligro/Advertencia/ Precaución
2. Válvula (s) de descargar del tanque de aire
3. Calcomanía- Advertencia: Calientes
4. Sumidero del aceite de bomba
5. Cristal De la Vista Del Aceite
6. Válvula de piloto
7. Control de regulador de motor
8. Interruptor de motor
9. Motor
10. Calcomanía- Riesgo de Incendio
11. Calcomanía- Advertencia: Superficies Calientes
12. Cuerda de depósito de bomba
13. Guardia del cinturón
14. Calcomanía- Advertencia: Riesgo de lesiones
15. Calcomanía- Advertencia: Guardia del cinturón está en lugar
16. Filtro de aire
17. Puerto de relleno del aceite
18. Bomba
19. Abiertas de ventilación
20. Indicador de presión de tanque de aire
21. Valvula de alivio de presión
22. Regulador de presión
23. Indicador de presión de salida
24. Instalaciones de salida

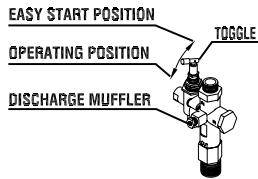
AC1-PH55-20M W/THROTTLE CONTROL-041205-DLG



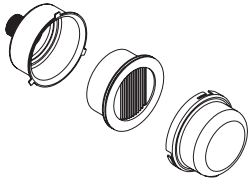
VISTA EXPLOTADA & EXPLICACIÓN DE ELEMENTOS DE COMPRESOR DE AIRE



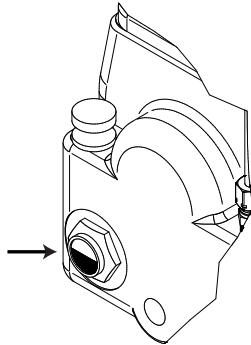
VÁLVULA DE ALIVIO DE SEGURIDAD: Esta válvula sea diseñado para prevenir falla de la sistema por aliviando alcance un nivel predeterminado. La válvula ha preprogramado por el fabricante y no puede modificar en ninguna manera. Para verificar que la válvula está trabajando correctamente, tire en el anillo. Presión de aire debe escapar. Cuando el anillo sea liberado, lo volver a cero.



VÁLVULA DE PILOTO: Cuando el muletilla está en posición vertical, todo el aire de compresor de aire descargó por el mofle de depósito. Este da una característica de encender fácil. Para operación normal la muletilla está en posición de noventa grados.

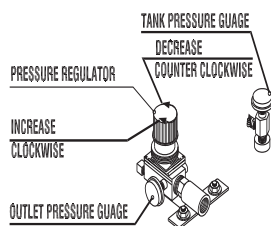


FILTRO DE LA ENTRADA DEL AIRE: Este filtro sea diseñado para limpiar aire que viniendo en la bomba. Para asegurar la bomba reciba continuamente un suministro de aire limpio, fresco, y seco el filtro tiene que ser limpio y el abierto de ventilación no tiene obstrucciones. Reemplace el elemento del filtro cuando necesario.



PUERTO DE RELLENO DEL ACEITE / TIRO: Tire el aceite en el puerto de relleno del aceite / tiro cuando necesario.

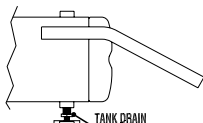
VIDRIO DE VISTA DEL ACEITE: El vidrio de vista del aceite expone el nivel del aceite en la bomba. El nivel del aceite debe estar en el medio del vidrio de vista del aceite. Si bajo agregue SAE30W aceite sin detergente.



INDICADOR DE PRESIÓN DE TANQUE DE AIRE: El indicador de presión de tanque de aire indica la presión de aire reserva en los tanques de aire.

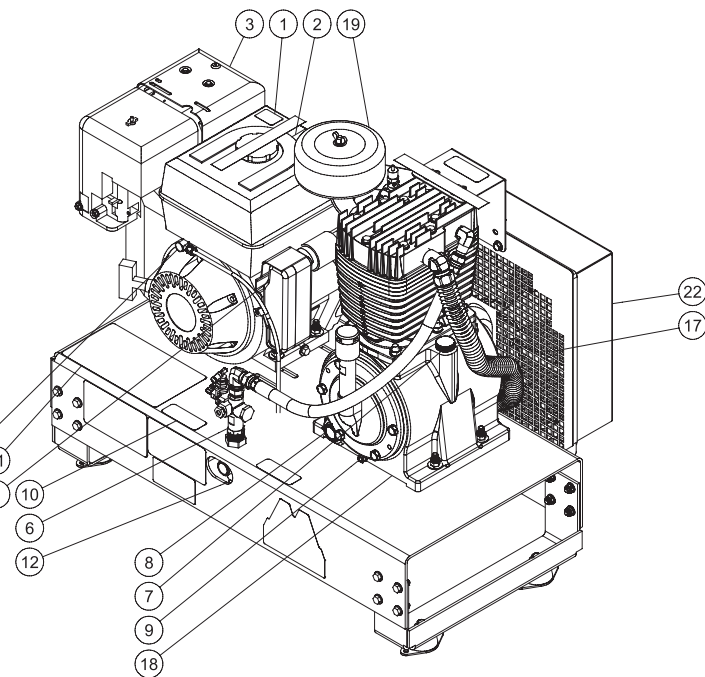
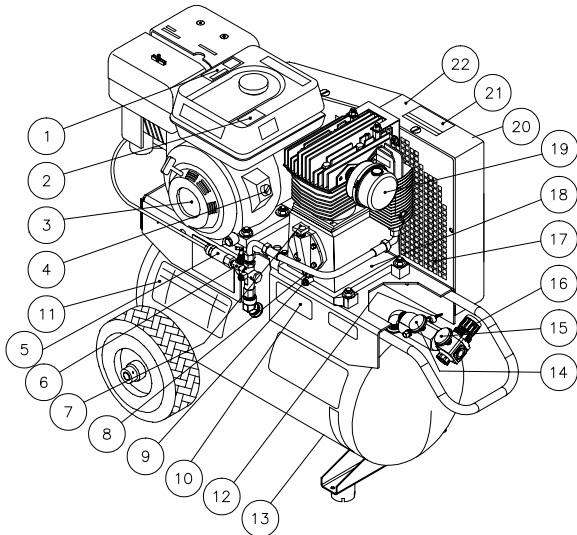
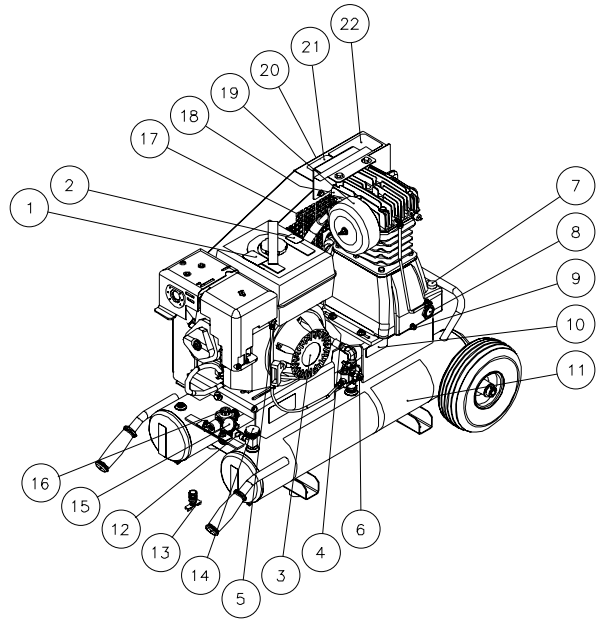
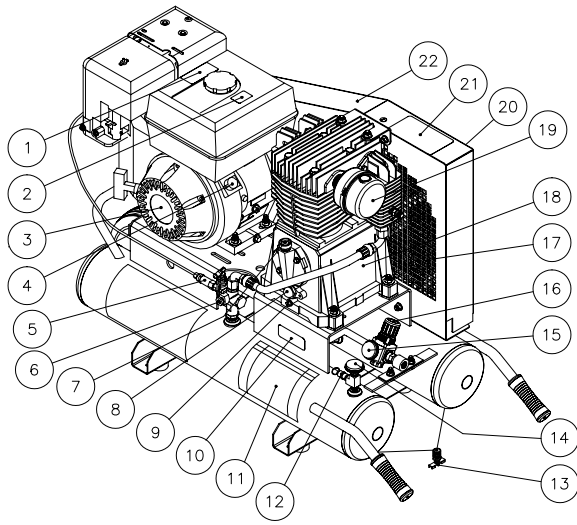
REGULADOR DE PRESIÓN: La presión de aire viniendo de tanque de aire sea controlado por la perilla de regulador. Gire la perilla de regulación de presión de las agujas del reloj para aumentar presión descarga y en sentido contrario a las agujas del reloj para disminuir la presión descarga. (La presión real de entrega pueden variar de un nivel de presión máxima de la bomba).

INDICADOR DE PRESIÓN SALIDA: El indicador de presión salida indica la presión de aire disponible en el lado de salida del regulador. Esta presión sea controlado por el regulador y siempre sea menos o igual a la presión de tanque de aire.



VÁLVULA DE DESCARGAR DEL TANQUE DE AIRE: La válvula de descargar sea usado para quitar la humedad de las tanques de aire despues de apagarse del compresor de aire. **NUNCA** trate abrir la válvula de descargar cuando más de 10PSI de presión de aire está en el tanque de aire! Para abrir la válvula de descargar, gire la perilla en sentido contrario a las agujas.

COMPONENTES DE COMPRESOR DE AIRE GASOLINA (SEGUNDA ETAPA)



1. Calcomanía- Advertencia: Superficies Calientes
2. Calcomanía- Advertencia: Caliente
3. Motor
4. Interruptor de motor
5. Control de regulador de motor
6. Válvula de piloto
7. Puerto de relleno del aceite de la bomba
8. Varilla del aceite
9. Sumidero del aceite
10. Calcomanía- Advertencia: Calientes
11. Calcomanía- Peligro / Advertencia / Precaución
12. Válvula de alivio de presión
13. Válvula (s) de descargar del tanque de aire
14. Indicador de presión de tanque de aire
15. Indicador de presión de tanque de aire
16. Regulador de presión
17. Abiertas de ventilación
18. Bomba de compresor de aire
19. Filtro de aire
20. Calcomanía- Advertencia: Guardia del cinturón está en lugar.
21. Calcomanía- Advertencia: Riesgo de lesiones
22. Guardia del cinturón

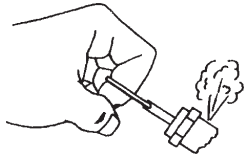
AC2-PH08-PV09-FEATURES-012704-DLG

AC2-PH08-PV09-20-FEATURE-012704-DLG

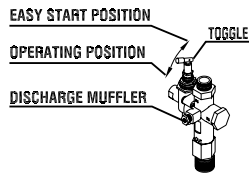
AS2-PH08-PR09-PV09-08 FEATURES-012704-DLG

AM2-SH09-B-FEATURE-01809-RSW

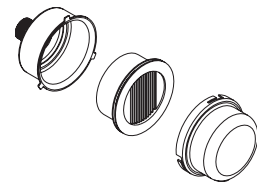
VISTA EXPLOTADA & EXPLICACIÓN DE ELEMENTOS DE COMPRESOR DE AIRE



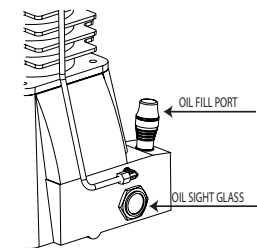
VÁLVULA DE ALIVIO DE SEGURIDAD: Esta válvula sea diseñado para prevenir falla de la sistema por aliviando alcance un nivel predeterminado. La válvula ha preprogramado por el fabricante y no puede modificar en ninguna manera. Para verificar que la válvula está trabajando correctamente, tire en el anillo. Presión de aire debe escapar. Cuando el anillo sea liberado, lo volver a cero.



VÁLVULA DE PILOTO: Cuando el muletilla está en posición vertical, todo el aire de compresor de aire descargó por el mofle de depósito. Este da un elemento de empezar fácil. Para operación normal, la muletilla está en posición de 90°.



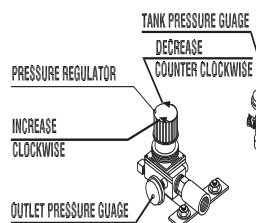
FILTRO DE LA ENTRADA DEL AIRE: Este filtro sea diseñado para limpiar aire que viniendo en la bomba. Para asegurar la bomba reciba continuamente un suministro de aire limpio, fresco, y seco el filtro tiene que ser limpio y el abierto de ventilación no tiene obstrucciones. Reemplace el elemento del filtro cuando necesario.



PUERTO DE RELLENO DEL ACEITE / TIRO: Tire el aceite en el puerto de relleno del aceite / tiro cuando necesario.

VIDRIO DE VISTA DEL ACEITE: El vidrio de vista del aceite expone el nivel del aceite en la bomba. El nivel del aceite debe estar en el medio del vidrio de vista del aceite. Si bajo agregue SAE30W aceite sin detergente.

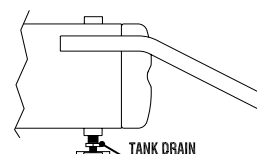
BOMBA DE COMPRESOR DE AIRE: Una bomba de compresor de dos etapas usa cilindros de dos tamaños diferentes con la válvula entrada de el más pequeño y segundo cilindro que unir cilindro. En el tiempo abajo aire sea retraído por las válvulas entradas mientras las válvulas de exhausto quedan cerrado. En el tiempo arriba el aire sea comprimido las válvulas entradas cierran y aire comprimido sea forzados por las válvulas de exhausto entre el entre frigerante y por la válvula entrada de el más pequeño y segundo cilindro en el tiempo abajo. En el tiempo arriba del cilindro pequeño, la válvula entrada cierra y aire comprimido comprimir un tiempo segundo y forzad afuera de válvula de exhausto entre la línea de deposito por válvula de revisar de tanque y entre el tanque de aire.



INDICADOR DE PRESIÓN DE TANQUE DE AIRE: El indicador de presión de tanque de aire indica la presión de aire reserva en los tanques de aire.

REGULADOR DE PRESIÓN: La presión de aire viniendo de tanque de aire sea controlado por la perilla de regulador. Gire la perilla de regulación de presión de las agujas del reloj para aumentar presión descarga y en sentido contrario a las agujas del reloj para disminuir la presión descarga. (La presión real de entrega pueden variar de un nivel de presión máxima de la bomba).

INDICADOR DE PRESIÓN SALIDA: El indicador de presión salida indica la presión de aire disponible en el lado de salida del regulador. Esta presión sea controlado por el regulador y siempre sea menos o igual a la presión de tanque de aire.



VÁLVULA DE DESCARGAR DEL TANQUE DE AIRE: La válvula de descargar sea usado para quitar la humedad de las tanques de aire despues de apagarse del compresor de aire. **NUNCA** trate abrir la válvula de descargar cuando más de 10PSI de presión de aire está en el tanque de aire! Para abrir la válvula de descargar, gire la perilla en sentido contrario a las agujas.

 **ADVERTENCIA** 

**LAS PAGINAS SIGUIENTES CONTIENEN INSTRUCCIONES DE OPERACION Y
MANTENIMIENTO**

**NO TRATE DE OPERAR ESTA LAVADORA A PRESION HASTA QUE HAYA LEIDO Y
ENTENDIDO TODAS LAS PRECAUCIONES E INSTRUCCIONES DE SEGURIDAD
LISTADAS EN ESTE MANUAL.**

**¡¡LA OPERACION INCORRECTA DE ESTA UNIDAD PUEDE CAUSAR LESIONES
GRAVES!!**

¡¡DE NINGUNA MANERA ALTERE O MODIFIQUE ESTE EQUIPO!!

INSTRUCCIONES DE PREPARACIÓN

 **ADVERTENCIA RIESGO DE EXPLOSIÓN O FUEGO QUE PUEDE CAUSAR LESIONES GRAVES Y LA MUERTE!**

NO TENER CONTACTO DE MOTOR Y MOEFLE CON VAPORES FLAMABLES, POLVOS COMBUSTIBLES, O OTRAS MATERIALES COMBUSTIBLES. UNA CHISPA PUEDE CAUSAR UN FUEGO.

CUANDO USANDO EL COMPRESOR DE AIRE PARA PINTAR, PONER EL COMPRESOR DE AIRE DEMASIADO AFUERA, DE AMBIENTE DE TRABAJAR. USAR MÁS TUBOS DE AIRE SI NECESITAR.

PREPARACIÓN:

1. Lea las advertencias de seguridad antes de preparar el compresor del aire.
2. Asegurar que el nivel del aceite en bomba de compresor de aire es adecuado. Si bajo, agregar SAE-30W, aceite sin-detergente.

 **PELIGRO RIESGO DE EXPLOSIÓN O FUEGO QUE CAUSAR LESIONES GRAVES Y LA MUERTE! NO FUMAR CUANDO DANDO FUEL!**

NO LLENAR EL TANQUE DE FUEL CUANDO COMPRESOR DE AIRE ENCENDIDO O CALOR. PERMITIAR DOS MINUTOS PARA ENFRIAR ANTES DE MÁS FUEL/COMBUSTIBLE.

PERMITIR 1/4" DE ESPACIO DE TANQUE PARA EXPANSIÓN DE FUEL. NO LLENAR EL TANQUE COMPLETO.

COLOCACIÓN:

1. Para evitar daños al compresor de aire, éste no debe inclinarse transversalmente o longitudinalmente a más de 10°.
2. Colocar el compresor de aire a una distancia mínima de 12 pulgadas de cualquier obstáculo que impida una correcta ventilación. No colocar jamás un compresor de aire en una zona:
 - donde hay fugas de aceite o gas.
 - donde puede haber vapores o materiales inflamables.
 - donde la temperatura del aire es inferior a 32°F o superior a 104°F.
 - donde aire sucio o agua podría ser aspirado por el compresor de aire.

MOTOR DE GASOLINA:

 **ADVERTENCIA RIESGO DE EXPLOSIÓN O FUEGO QUE CAUSAR LESIONES GRAVES Y LA MUERTE!**

NO PONER EL UNITO EN AMBIENTES CON VAPORES FLAMABLES. UNA CHISPA PUEDE CAUSAR UN EXPLOSIÓN O UNFUEGO.

SIEMPRE GUARDAR EL FUEL AFUERA DE COMPRESOR DE AIRE CUANDO FUNCIONANDO O CALOR.

1. Revisar "Riesgo de expolsión o fuego" antes de agregar fuel.
2. Leer manual de motor que acompando este compresor de aire para mantenimiento correcto de encender de motor.
3. Leer y comprender las etiquetas de seguridad que situado en el compresor de aire.
4. Recomendar usar fuel del minimo de 86 octano con este compresor de aire. No mezclar aceite con gasolina.
5. Recomendar usar gasolina sin plomo y limpiado y fresco. Puede usar gasolina con plomo si no tener gasolina sin plomo. No usar gasolina con metano o alcohol.
6. Antes de empezar, controlar el nivel del aceite. (ver manual de motor.)
Manual de operador de compresor de aire gasolina.

INSTRUCCIONES DE PREPARACIÓN

7. Llenar el tanque de fuel en accordancia de manual de instruccion.
8. Referir a manual de motor para mantenimiento necesario y ajustados.



ADVERTENCIA RIESGO DE ASFIXIA! NO FUNCIONAR EN AMBIENTES DE MAL VENTILADOS. USAR ESTE PRODUCTO EN AMBIENTES DE BUEN VENTILADOS SÓLO. EL EXHUSTO DEL MOTOR CONTENER MONÓXIDO DE CARBONO. ES UN GAS INODORO, VENENOSO, Y INVISIBLE. RESPIRACIÓN DE ESTE GAS PUEDE CAUSAR LESIONES GRAVES, ENFERMOS, Y POSIBLE LA MUERTE.



ADVERTENCIA RIESGO DE LESIONES AL CUERPO! NUNCA ABRIR LA VÁLVULA DE DESCARGAS DEL TANQUE DE AIRE CUANDO HAY MÁS DE 10 PSI DE PRESIÓN DE AIRE EN EL TANQUE DE AIRE!

CONTROLES ANTES DEL ARRANQUE:

1. Controlar el nivel del aceite. Reponer si es necesario.
2. Eliminar la condensación del depósito del compresor de aire. Peligro de lesiones al cuerpo. NO INTENTE JAMÁS abrir la válvula de descarga cuando hay más de 10 PSI de presión en el interior del depósito! Descargar la presión excesiva con una herramienta de aire, luego abrir la válvula de descarga del depósito de aire ubicada en la parte inferior del depósito. Cerrar bien una vez descargado.
3. Controlar el boton de motor es en posición de "OFF".
4. Controlar que la válvula de seguridad funcionando correcto.
5. Controlar que todas tapas y cubiertas están en posición y montar seguriando.

OPERACIÓN

COMENZAR:

1. Leer atentamente las advertencias de seguridad antes de efectuar esta operación.
2. Colocar muletilla que estar en la arriba de válvula pilota a posición vertical. Este dar una empezada sin descargar. Este compresor de aire puede descargar y tener una empezada de motor más facil.
3. Encender el motor. (Referir a manual de este unito de motor.)
4. Despues de 1-2 minutos de funcionando, poner muletilla en posición orginal.
5. Ajustar la presión moviendo el regulador de presión en el sentido contrario a las manecillas del reloj para reducir la presión y en el sentido de las manecillas del reloj para aumentaria.
6. En caso de ruidos o vibraciones anómalos, detener el compresor de aire y consultar la sección "Localización de Averías".

APAGAMIENTO:

1. Para parar el compresor de aire mover el boton de motor a posición de "OFF". (Referir a manual de motor de este unito.)
2. Descargar el aire de los depósitos de aire, por medio de una herramienta conectada o tirando los anillos de la válvula de seguridad.
3. Una vez que le presión en el interior de los depósitos de aire es inferior a 10 libras, abrir la válvula de descarga debajo de cada depósito de aire para eliminar la humedad.
4. Dejar enfriar el compresor de aire.
5. Limpiar el compresor de aire con un paño y colocarlo en un lugar seguro, donde no exista el riesgo de congelación.

MANTENIMIENTO

Leer el manual de instrucciones antes de efectuar cualquier operación de mantenimiento. Las operaciones descritas a continuación deben ser llevadas a cabo cuando el compresor se apaga por mantenimiento o reparaciones.

1. Apagar el compresor de aire.
2. Desconectar el cable de la toma de corriente principal.
3. Abrir todas las descargas.
4. Esperar que el compresor de aire se haya enfriado antes de comenzar las operaciones.

TABLA DE MANTENIMIENTO

AC Gas Spanish Maintenance Chart

TABLA DE MANTENIMIENTO				
OPERACIÓN	DIARIA	SEMANAL	MENSUAL	200 HORAS
Controlar el nivel del aceite de la bomba	X			
Controlar el nivel del aceite de motor	X			
Inspeccionar que no haya pérdidas de aceite	X			
Controlar el filtro de aire de motor	X			
Descargar la condensación del depósito/s de aire	X			
Controlar el cubierta/tapa	X			
Controlar que no hay ruidos/vibraciones anómalos	X			
Inspeccionar que no hay fugas de aire	X			
Limpia el compresor de aire exteriormente		X		
Controlar el filtro del aire		X		
Controlar el correa			X	
Controlar la válvula de seguridad			X	
Cambiar el aceite de la bomba*				X
Sustituir el filtro del aire				X

*El aceite de la bomba debe cambiarse después de 50 horas de trabajo y cada 200 horas o 3 meses, según la condición que ocurra antes. Se recomienda el uso de sustancias puras sin detergente.

Cada dos años, un técnico autorizado de servicio debe inspeccionar la válvula, válvulas de entrar y válvulas de liberar.

LOCALIZACIÓN DE AVERÍAS

SÍNTOMA	CAUSA (S) POSIBLE (S)	SOLUCIÓN
El motor no encender.	Varias problemas de motor.	Referir a manual de motor de su compresor de aire.
	Nivel de aceite de motor bajo.	El motor se equipa de un sistema de alerta del aceite que no permita que el motor comience si el nivel de aceite es bajo. Agregue el aceite, si está necesitado.
Funcionamiento ruidoso	Polea de motor o bomba de rueda volada es suelto.	Apretar polea y/o rueda volado.
	Falta aceite en la bomba.	Reponer la cantidad de aceite necesaria. Controlar que los cojinetes no se hayan dañado.
	Residuos de carbono en los pistones o en las válvulas.	Desmontar e inspeccionar la culata del cilindro. Limpiar y sustituir.
	Avería del cojinete, pistón o biela.	PARAR EL COMPRESOR! Póngase en contacto con la Asistencia Clientes.
Abajo de presión en tanque de aire o abajo de presión rápidamente cuando el compresor de aire está apagado.	Los accesorios no han sido apretados bien.	Apretar los accesorios donde se oye que el aire dale. Controlar los accesorios con una solución de agua y jabón. No apretar demasiado.
	Fugas de aire del depósito de aire.	Sustituir el depósito de aire. No intentar reparar el depósito.
	La válvula de retención y la válvula piloto es defectuosa.	Desmontar, limpiar o sustituir.
Presión insuficiente en la herramienta o en los accesorios.	El regulador de presión no ha sido ajustado a una presión suficientemente alta o avería del regulador de presión.	Ajustar el regulador de presión al valor adecuado o sustituir.
	Filtro aspiración aire obstruido.	Limpiar o sustituir.
	Fugas de aire.	Localizar las fugas y reparar.
	Los tubos o los empalmes de los tubos son demasiado pequeños o largos.	Sustituir con tubos o empalmes más grandes.
	Las resbalaban de correa.	Haga mas apretado o reemplace.
	El compresor de aire no produce la capacidad de aire requerida.	Controlar el requisito de aire del accesorio. Si es superior al CMF o a la presión suministrada or el compresor de aire, es necesario usar un compresor más grande.
	Válvula piloto restringida.	Limpiar o reemplace.
El aire sale de la válvula de seguridad.	La válvula de seguridad probablemente es defectuosa.	Activar la válvula de seguridad manualmente tirando del anillo.
	La presión de aire en el depósito es excesiva.	Si el aire sigue saliendo, debe ser sustituida. Interruptor motor/presión defectuoso. Sustituir.
Fugas de aire en la bomba.	Juntas defectuosas.	Apriete los pernos de cabeza: Etapa única = 17 pies/libras. Dos etapas = 33 pies/libras.

LOCALIZACIÓN DE AVERÍAS

SÍNTOMA	CAUSA (S) POSIBLE (S)	SOLUCIÓN
Aire que sale del filtro de entrada de aire.	Válvula de entrada (lámina) defectuoso.	Contactar Servicio al Cliente.
Condensación en el aire de descarga.	Condensación en el depósito de aire debido a una elevada humedad atmosférica o el compresor de aire no ha funcionado por un tiempo suficiente.	Opera el compresor de aire por una hora para impedir demasiado condensación. Vaciar el depósito de aire después de cada empleo. Vaciar el depósito de aire más frecuentemente en climas húmedos y usar un filtro en la línea de aire.
Excesivo consumo de aceite en la bomba.	Filtro aspiración aire obstruido.	Limpiar o sustituir.
	Compresor de aire sobre superficie no nivelada.	No inclinar el compresor de aire a un ángulo superior a 10° en ninguna dirección mientras esté en marcha.
	Cárter demasiado lleno de aceite.	Vaciar el aceite. Reponer con aceite hasta el nivel apropiado.
	Viscosidad incorrecto.	Elimina el aceite. Llène al nivel correcto con SAE-30W aceite sin detergente.
	Ventilación de la varilla indicadora de nivel aceite atascada.	Limpiar.
	Respirado de cárter es taparo.	Limpiar o sustituir.
	Pérdidas de aceite.	Apriete los pernos de cabeza: Etapa única = 17 pies/libras. Dos etapas = 33 pies/libras.
	Anillos del pistón desgastados o cilindro rayado.	Ponerse en contacto con la Asistencia Clientes.
El aceite tiene apariencia lechosa.	Agua en aceite debido a condensación.	Cambie el aceite y traslade el compresor de aire a un ambiente menos húmedo.

DECLARACIÓN DE GARANTÍA

El fabricante garantiza que todas las piezas (excepto aquellas a las que se hace referencia abajo), de su nueva lavadora a presión libres de defectos en materiales y mano de obra durante los periodos siguientes:

Por dos (2) años a partir de la fecha original de compra:

Bomba de Compresor Cañerías Asamblea de Tanque

Por seis (6) mes a partir de la fecha original de compra:

Interruptor de Presión Reguladores Válvula de revisar
Válvula de piloto Línea de cobre/acero inoxidable

Por noventa (90) días a partir de la fecha original de compra:

Indicadores de presión Válvula de alivio de seguridad
válvulas de desagüe

Las piezas defectuosas que no están sujetas a deterioro causado por el uso serán reparadas o reemplazadas a nuestra opción durante el periodo de garantía. En todo caso, el reembolso está limitado al precio de compra pagado.

EXCLUSIONES

1. El motor está cubierto bajo una garantía separada proporcionada por el fabricante respectivo y está sujeta a los términos en ella establecidos.
2. Partes de desgaste normal:
Aisladores filtro de aire
3. Esta garantía no cubre las piezas dañadas debido al deterioro normal causado por el uso, mala aplicación, mal uso, operación a velocidades, presiones o temperaturas diferentes a las recomendadas. Las piezas dañadas o gastadas a causa del uso de líquidos cáusticos o por la operación en medios ambientes abrasivos o corrosivos o bajo condiciones que causan cavitación de la bomba no están garantizadas. La falla en seguir los procedimientos recomendados de operación y mantenimiento también cancela la garantía.
4. Cobras de trabajar, peridio o daño resultando de operación mala, mantenimiento (otro de descarga de tanque de aire rutina y cambios de aceite si aplica) o reparaciones hace por personas otro de Centro de servicio autorizado.
5. El uso de piezas de repuesto diferentes a las genuinas cancelará la garantía. Las piezas devueltas, con franqueo pagado a un Centro de Servicio Autorizado serán inspeccionadas y reemplazadas, libre de cargos, si se determina que están defectuosas y sujetas a la garantía. No existen garantías que se extiendan más allá de la descripción contenida aquí. Bajo ninguna circunstancia El fabricante será responsable por la pérdida de uso de la unidad, pérdida de tiempo, inconvenientes, pérdida comercial o daños consecuentes.

PARA SERVICIO O CONSIDERACION DE LA GARANTIA CONSULTE CON:

Telefono: 563-556-7484/Telefone gratis en los
EE. UU.: 800-553-9053/Fax 563-556-1235
Lunes - Viernes 8:00 a.m. - 5:00 p.m. CST

NOTAS
