

OPERATOR'S MANUAL FOR
PORTABLE/ALUMINUM
GASOLINE DRIVEN/BELT DRIVE
COLD WATER PRESSURE WASHER



CAUTION
RISK OF INJURY!

READ MANUAL BEFORE OPERATING!

This manual is an important part of the pressure washer and must remain with this unit!

TABLE OF CONTENTS

INTRODUCTION	3
IMPORTANT SAFETY WARNINGS	4
FIRE & VENTILATION PRECAUTIONS:.....	4
SPRAY PRECAUTIONS:	4
MISCELLANEOUS SAFETY PRECAUTIONS:	5
ADJUSTMENT PRECAUTIONS:.....	6
FEATURES	7
SAFETY DECALS	8
INSTALLATION & PREPARATION	9
ATTIRE:	9
SET-UP:	9
ENGINE FUEL TANK:.....	9
NOZZLE REVIEW:	10
NOZZLE CONNECTION:	10
WATER SUPPLY:.....	11
UNLOADER:	11
THERMAL RELIEF VALVE:.....	11
PRE-START INSPECTION PROCEDURES:.....	11
OPERATING INSTRUCTIONS	13
PRIMING THE PUMP:.....	13
START-UP:	13
SHUT-DOWN:	14
STORAGE & MAINTENANCE	15
SPECIFIC MAINTENANCE:	15
WINTERIZING:.....	15
TROUBLE SHOOTING	17
STATEMENT OF WARRANTY	18

⚠ WARNING

⚠ WARNING: This product can expose you to chemicals including Lead, which is known to the State of California to cause cancer and birth defects or other reproductive harm. For more information go to www.P65Warnings.ca.gov

⚠ WARNING

⚠ WARNING: This product can expose you to chemicals including carbon monoxide, which is known to the State of California to cause birth defects or other reproductive harm. For more information go to www.P65Warnings.ca.gov

INTRODUCTION

Congratulations on the purchase of your new cold water pressure washer! You can be assured your new cold water pressure washer was constructed with the highest level of precision and accuracy. Each component has been rigorously tested by technicians to ensure the quality, endurance and performance of this unit.

This operator's manual was compiled for your benefit. By reading and following the simple safety, installation, operation, maintenance and troubleshooting steps described in this manual, you will receive years of trouble free operation from your new cold water pressure washer. The contents of this manual are based on the latest product information available at the time of publication. The manufacturer reserves the right to make changes in price, color, materials, equipment, specifications or models at any time without notice.

! IMPORTANT !

These paragraphs are surrounded by a "SAFETY ALERT BOX". This box is used to designate and emphasize Safety Warnings that must be followed when operating this pressure washer.

Accompanying the Safety Warnings are "signal words" which designate the degree or level of hazard seriousness. The "signal words" used in this manual are as follows:

DANGER: INDICATES AN IMMINENTLY HAZARDOUS SITUATION WHICH, IF NOT AVOIDED, WILL RESULT IN DEATH OR SERIOUS INJURY.

WARNING: INDICATES A POTENTIALLY HAZARDOUS SITUATION WHICH, IF NOT AVOIDED, COULD RESULT IN DEATH OR SERIOUS INJURY.

CAUTION: INDICATES A POTENTIALLY HAZARDOUS SITUATION WHICH, IF NOT AVOIDED MAY RESULT IN MINOR OR MODERATE INJURY.

The symbols set below this paragraph are "Safety Alert Symbols". These symbols are used to call attention to items or procedures that could be dangerous to you or other persons using this equipment.



ALWAYS PROVIDE A COPY OF THIS MANUAL TO ANYONE USING THIS EQUIPMENT. READ ALL INSTRUCTIONS BEFORE OPERATING THIS PRESSURE WASHER AND ESPECIALLY POINT OUT THE "SAFETY WARNINGS" TO PREVENT THE POSSIBILITY OF PERSONAL INJURY TO THE OPERATOR.

Once the unit has been removed from the box, immediately write in the serial number of your unit in the space provided below.

SERIAL NUMBER _____

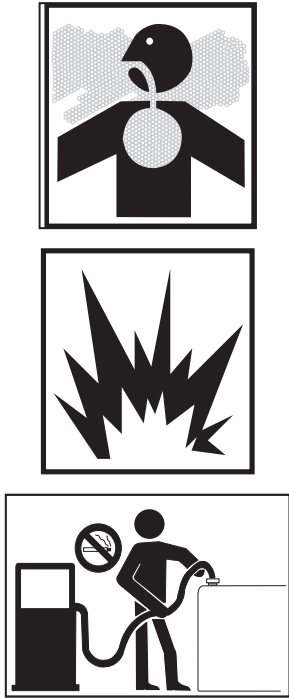
Inspect for signs of obvious or concealed freight damage. If damage does exist, file a claim with the transportation company immediately. Be sure that all damaged parts are replaced and that the mechanical problems are corrected prior to operation of the unit. If you require service contact the Customer Service Representative.

Please have the following information available for all service calls:

1. Model Number
2. Serial Number
3. Date and Place of Purchase

IMPORTANT SAFETY WARNINGS

FIRE & VENTILATION PRECAUTIONS:



1. This unit was designed for outdoor use only. NEVER operate this unit in an enclosed area. ALWAYS make certain there is adequate air (oxygen) for combustion as well as ventilation to prevent the presence of poisonous carbon monoxide gases. Beware of poorly ventilated areas or exhaust fans which can cause inadequate combustion or engine overheating.
2. NEVER operate this unit in the presence of flammable vapors or combustible dust, gases or other combustible materials. (A spark may cause an explosion or fire.) When servicing this machine, be especially careful to properly dispose of any flammable materials. DO NOT spray flammable liquids.
3. ENGINE FUEL TANK:
 - a. DO NOT SMOKE WHILE FILLING ENGINE FUEL TANK
 - b. NEVER fill the engine fuel tank while the unit is running or hot. Allow the engine to cool two minutes before refueling.
 - c. DO NOT refuel indoors or in a poorly ventilated area.
 - d. ALWAYS refuel slowly to avoid the possibility of spilled fuel which may cause a risk of fire.
4. DO NOT operate the unit if gasoline is spilled. Wipe unit clean and move the unit away from the spill. Avoid creating any ignition until the gasoline has evaporated.
5. DO NOT store the unit near an open flame or any equipment such as a stove, furnace, water heater, etc., which utilizes a pilot light or devices which can create a spark.

IMPORTANT

The following is required by California State law, Section 4442 of the California Public Resources Code. Other states may have similar laws. Federal laws apply on federal lands.

A spark arrester must be added to the muffler of this engine if it is to be used on any forest covered, brush covered or grass covered unimproved land. The arrester must be maintained in effective working order by the operator.

See your engine or equipment dealer for spark arrester muffler options.

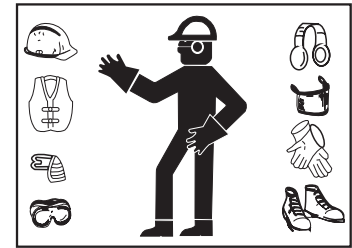
SPRAY PRECAUTIONS:

DANGER RISK OF INJECTION OR SEVERE CUTTING INJURY! KEEP CLEAR OF NOZZLE! DO NOT DIRECT DISCHARGE STREAM AT PERSONS OR PETS! ONLY TRAINED OPERATORS SHOULD USE THIS PRODUCT. WHEN OPERATING THIS UNIT, BASIC PRECAUTIONS SHOULD ALWAYS BE OBSERVED INCLUDING THE FOLLOWING:

1. KEEP AWAY FROM THE SPRAY:
 - a. Because of the high pressure and velocity of the spray, fluids can penetrate the skin, causing serious injury.
 - b. Never point the gun at yourself or anyone else. Never put your hand, fingers or body directly over the spray nozzle. Always keep operating area clear of all persons. Use extreme caution when operating near children.
 - c. If an accident does occur and the spray appears to have penetrated the skin, SEEK EMERGENCY MEDICAL CARE. DO NOT TREAT AS A SIMPLE CUT. If you are using cleaning agents, be prepared to tell a physician exactly what kind.
2. ALWAYS wear protective goggles when operating the unit to shield the eyes from flying debris and detergents. Other protective equipment such as rubber suits, gloves and respirators are advisable, especially when using

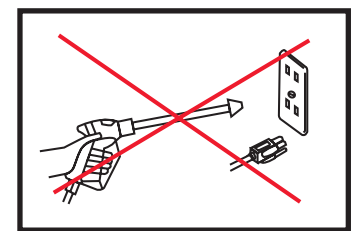
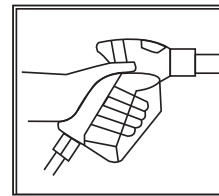
IMPORTANT SAFETY WARNINGS

- cleaning detergents. Use extreme caution when operating near children.
3. Stay alert-watch what you are doing. Do not operate the unit when fatigued or under the influence of alcohol or drugs.
 4. NEVER squeeze the trigger unless securely braced. The thrust from the water traveling through the nozzle may be powerful enough to cause the operator to lose balance if unprepared. DO NOT overreach or stand on unstable support. Wet surfaces can be slippery, wear protective foot gear and keep good footing and balance at all times. NEVER trigger the gun while on a ladder or roof.
 5. Caution should be used when directing spray toward fragile materials such as glass. Shattering could result in serious injury.
 6. ALWAYS hold on firmly to the gun/wand assembly when starting and operating the unit. Failure to do so can cause the wand to fall and whip dangerously. NEVER operate the gun with the trigger wired in the open position. To prevent accidental discharge, the trigger gun should be securely locked when not in use.
 7. DO NOT direct spray on or into electrical installations of any kind! This includes electrical outlets, light bulbs, fuse boxes, transformers, etc. Severe electrical shock may occur.
 8. Even after you shut off the unit, there is high pressure water left in the pump, hose and gun until you release it by triggering the gun. Before removing the spray nozzle or servicing the unit, ALWAYS shut off the unit and trigger the gun to release trapped pressure.



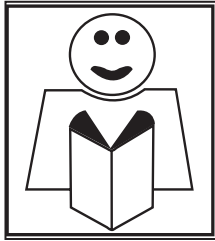
MISCELLANEOUS SAFETY PRECAUTIONS:

1. NEVER ALLOW CHILDREN OR ADOLESCENTS TO OPERATE THIS UNIT!
2. Read and follow all handling, operations, maintenance and safety instructions listed in this manual and the Engine Operator's manual that accompanies this unit, and provide such information to ANYONE who will be operating this unit.
3. In freezing temperatures, the unit must always be warm enough to ensure there is no ice formation in the pump. DO NOT start this unit if it has been transported in an open or underheated vehicle without first allowing the pump to thaw.
4. When connecting the water inlet to the water supply mains, local regulations of your water company must be observed. In some areas the unit must not be connected directly to the public drinking water supply. This is to ensure that there is no feedback of the detergents into the water supply. (Direct connection is permitted if a back flow preventer is installed.)
5. DO NOT allow any part of your body or the high pressure hose to make contact with the muffler. Avoid dragging the hose over an abrasive surface such as cement. This causes wear and eventual rupturing.
6. High pressure hoses should be inspected daily for signs of wear. If evidence of failure exists, promptly replace all suspect hoses to prevent the possibility of injury from the high pressure spray. If a hose or fitting is leaking, NEVER place your hand directly on the leak.
7. DO NOT operate the unit without all protective covers in place.
8. NEVER run the unit with the governor disconnected or operate at excessive speeds.
9. To reduce the risk of injury, maintain a safe distance from persons while operating this unit. Close supervision is necessary when operating the unit near children.
10. DO NOT leave pressurized unit unattended. Shut off the unit and release trapped pressure before leaving.
11. DO NOT move the unit by pulling on the hose.



IMPORTANT SAFETY WARNINGS

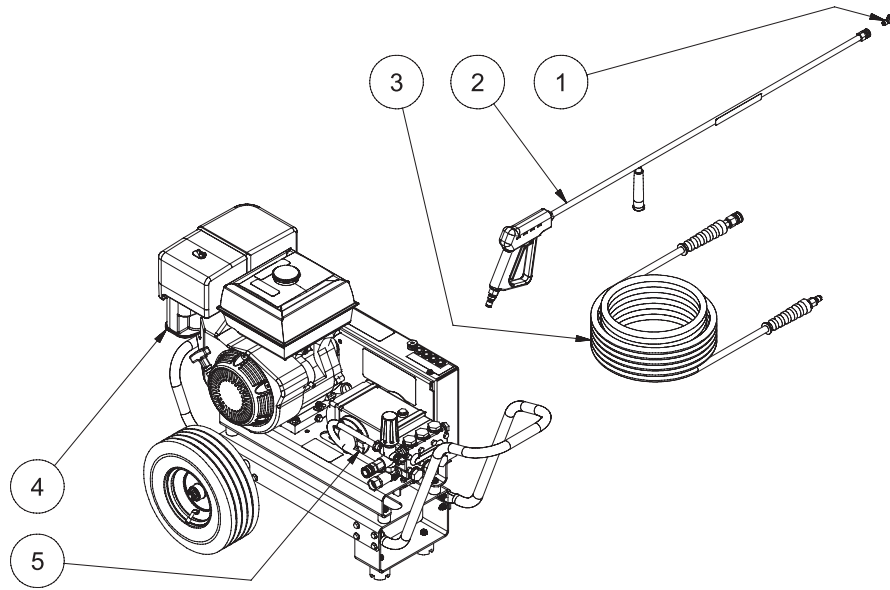
ADJUSTMENT PRECAUTIONS:



1. NEVER alter or modify the equipment, be sure any accessory items and system components being used will withstand the pressure developed. Use ONLY genuine parts for repair of your pressure washer. Failure to do so can cause hazardous operating conditions and will void warranty.
2. NEVER make adjustments to the machinery while it is connected to the engine without first removing the ignition cable from spark plug. Turning the machinery over by hand during adjustment or cleaning might start the engine and machinery with it, causing serious injury to the operator.
3. Know how to stop the pressure washer and bleed pressures quickly. Be thoroughly familiar with controls.
4. Before servicing the unit; turn the unit off, relieve the water pressure, and allow the unit to cool down. Do not make repairs while unit is running. Service in a clean, dry, flat area. Block the wheels to prevent the unit from moving.
5. Follow the maintenance instructions specified in this manual.

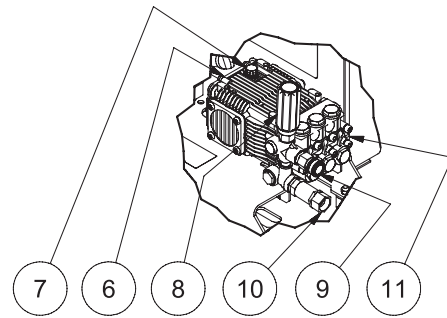
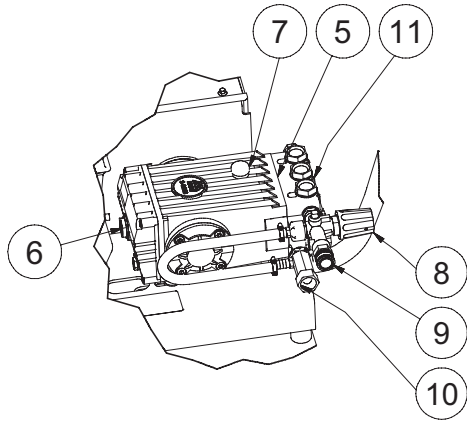
! SAVE THESE INSTRUCTIONS !

FEATURES



Unloader with bypass

Bolt On Unloader



CBA FEATURES-021612

FEATURES LISTING

- | | |
|---------------------------------|-----------------------------|
| 1. Quick Connect Nozzle | 7. Oil Dipstick |
| 2. Gun Assembly | 8. Adjustable Unloader Knob |
| 3. High Pressure Discharge Hose | 9. Water Outlet |
| 4. Engine | 10. Water Inlet |
| 5. Pump | 11. Thermal Relief Valve |
| 6. Oil Sight Glass | |

SAFETY DECALS

**!!!DO NOT REMOVE SAFETY DECALS FROM UNIT
UNLESS REPLACING WITH MOST CURRENT SAFETY DECAL!!!**

Decal: Caution-Engine Fuel (Part #34-0599)

⚠ CAUTION/PRECAUCIÓN	
<p>RISK OF FIRE Do not add fuel when product is operating. Allow engine to cool for two (2) minutes before refueling. <small>34-0599/07262012</small></p>	<p>RIESGO DE FUEGE No ponga combustible cuando el producto este en operacion. Permita que el motor se enfrie por 2 minutos antes de reablastecer de combustible.</p>

Decal: Warning-Risk of Injection (Part #34-1253)

	⚠ WARNING		⚠ ADVERTENCIA
	<p>RISK OF INJECTION OR SEVERE INJURY Never put your hand, fingers or body directly over the spray nozzle. <small>34-1253/07272012</small></p>		<p>RIESGO DE INYECCIÓN O LESIÓN SEVERA Nunca coloque la mano, los dedos o el cuerpo directamente sobre la boquilla de rocío.</p>

Decal: Warning-Muffler Hot (Part #34-0598)

⚠ WARNING/ADVERTENCIA	
<p>RISK OF BURNS Muffler and adjacent areas may exceed 150°F. <small>34-0598/07262012</small></p>	<p>RIESGO DE QUEMAR El amortiguador y las areas adyacentes pueden Tener temperaturas por arriba de 65°C.</p>

Decal: Warning-Beltguard (Part #34-0826)

⚠ WARNING/ADVERTENCIA	
<p>Do not operate unit without beltguard in place.</p>	<p>No opere la unidad sin todas la cubierta correa en su sitio. <small>34-0826/07262012</small></p>

Decal: Warning/Caution Statements (Part #34-0812)

⚠ WARNING/ADVERTENCIA	⚠ CAUTION/PRECAUCION
<p>⚠ WARNING: Cancer and Reproductive Harm — www.P65warnings.ca.gov/</p> <ul style="list-style-type: none"> •RISK OF INJECTION OR SEVERE INJURY: Keep clear of nozzle. Do not direct spray toward any person or self. This machine is to be used only by qualified operators. •RISK OF ASPHYXIATION: Outdoor use only required. •RISK OF FIRE: Do not smoke while refueling. Allow to cool two to three minutes before refueling. Do not operate while refueling. •RISK OF ELECTROCUTION: Do not direct spray toward any electrical connections, outlets or power lines. •RISK OF EXPLOSION: Do not spray flammable liquids or in an area containing combustible dust, liquids or vapors. •RISK OF INJURY: Use only properly rated equipment. 	<ul style="list-style-type: none"> •TO REDUCE RISK OF INJURY: Read and understand the operation manual and all instructions before using. •STAY ALERT: Hold onto gun/wand firmly with both hands to avoid dangerous kickbacks. •Always wear eye protection. •Do not overreach or stand on unstable support. Keep good footing and balance at all times. •Always turn on water supply to pump before starting. •Protect pump from freezing. •Engage trigger safety lock-off when not in use.
<p>⚠ ADVERTENCIA: Peligro de cáncer y daño reproductivo — www.P65warnings.ca.gov/</p> <ul style="list-style-type: none"> •RIESGO DE INYECCION O LESION SEVERA: Mantenga la boquilla despejada. No dirija el chorro hacia persona alguna o hacia usted. •RIESGO DE ASFIXIA: Unicamente para uso en el exterior. •RIESGO DE FUEGO: No fume mientras este reabasteciendo de combustible. Permita que le motor se enfrie dos o tres minutos antes del reabastecimiento. No opere el productor durante el reabastecimiento. •RIESGO DO ELECTROCUCION: No dirija el chorro hacia conexiones elctricas, tomas de corriente o lineas de alimentacion de corriente. •RIESGO DO EXPLOSION: No rocíe líquidos inflamables. •RIESGO DE LESION: Use unicamente equipo con clasificacion adecuada. 	<ul style="list-style-type: none"> •PARA REDUCIR EL RIESGO DE QUE OCURRAN LESIONS: Lea y entienda el manual de operacion y todas las instrucciones antes de usar el producto. •PERMANIZCA ALERTA: Sostenga la pistola varilla firmemente con ambas manos para evitar golpes de retorcero peligroso. •Use siempre proteccion ocular. •No se extienda demasiado o se pare en un apoyo inestable. Mantenga una buena posicion y balance todo el tiempo. •Antes de comenzar, abra siempre el suministro de agua a la bomba. •Proteja la bomba de la congelacion. •Coloque el seguro del gatillo en la posicion apagado cuando no este usando el producto. <p style="text-align: right;"><small>34-0812/071218</small></p>

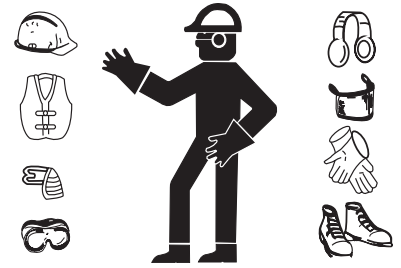
INSTALLATION & PREPARATION

ATTIRE:

Proper attire is essential to your safety. It is advised to utilize whatever means necessary to protect eyes, ears, and skin. Additional safety attire (such as respiratory mask) may be required when using detergent cleaning agents with this washer.

SET-UP:

1. This unit should only be placed on a level surface to ensure proper lubrication for the engine and water pump while operating. NEVER spray water directly on the unit!
2. Do not use unit in an area:
 - a. with insufficient ventilation.
 - b. where there is evidence of oil or gas leaks.
 - c. where flammable gas vapors may be present.
3. Be certain to block the wheels to prevent the unit from moving while operating.
4. Do not allow the unit to be exposed to rain, snow or freezing temperatures. If any part of the unit becomes frozen, excessive pressure may build up in the unit which could cause it to burst resulting in possible serious injury to the operator or bystanders.
5. Check the oil level indicator on the pump crankcase. Be certain the oil level is in the center of the sight glass before each use. If the level appears to be low fill with oil #AW-4085-0016. DO NOT OVERFILL!



ENGINE FUEL TANK:

⚠ DANGER RISK OF EXPLOSION OR FIRE! DO NOT PLACE UNIT IN AN AREA WHERE FLAMMABLE GAS VAPORS MAY BE PRESENT. A SPARK COULD CAUSE AN EXPLOSION OR FIRE!

⚠ RISK OF UNIT BURSTING! DO NOT STORE/OPERATE UNIT IN A FREEZING ENVIRONMENT!

1. Review "Fire & Ventilation Precautions", before fueling.

⚠ WARNING RISK OF ASPHYXIATION! -DO NOT OPERATE IN AN ENCLOSED AREA. USE THIS PRODUCT ONLY IN WELL VENTILATED AREAS! -THE EXHAUST FROM THE ENGINE CONTAINS CARBON MONOXIDE, A POISONOUS, ODORLESS AND INVISIBLE GAS. BREATHING THIS GAS CAN CAUSE SERIOUS INJURY, ILLNESS & POSSIBLE DEATH.

2. Locate the Safety Decals on your unit and heed their warnings.
3. A minimum of 86 octane fuel is recommended for use with this unit. DO NOT MIX OIL WITH GASOLINE.
4. Purchase fuel in quantities that may be used within 30 days. Use of clean, fresh lead free gasoline is recommended. Leaded gasoline may be used if lead-free is unavailable. DO NOT use gasoline containing methanol or alcohol.
5. Check the engine oil level before starting the engine. (See Engine manual.)
6. Fill the fuel tank according to accompanying engine manual instructions.
7. Occasional carburetor and choke adjustments will be necessary for the engine. Refer to the engine manual supplied with this unit for proper adjustment procedures.
8. Review the engine manual accompanying this pressure washer for correct engine start-up and maintenance procedures.

⚠ RISK OF FIRE! -DO NOT SMOKE WHILE FUELING! -DO NOT FILL THE FUEL TANK WHILE UNIT IS RUNNING OR HOT. ALLOW UNIT & ENGINE TO COOL FOR TWO MINUTES BEFORE REFUELING. -DO NOT FILL FUEL TANK TO POINT OF

INSTALLATION & PREPARATION

OVERFLOWING. ALLOW APPROXIMATELY 1/4" OF TANK SPACE FOR FUEL EXPANSION.

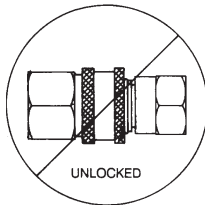
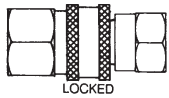
⚠ WARNING RISK OF EXPLOSION OR FIRE! ALWAYS STORE FUEL AWAY FROM THE WASHER WHILE THE UNIT IS RUNNING OR HOT.

NOZZLE REVIEW:

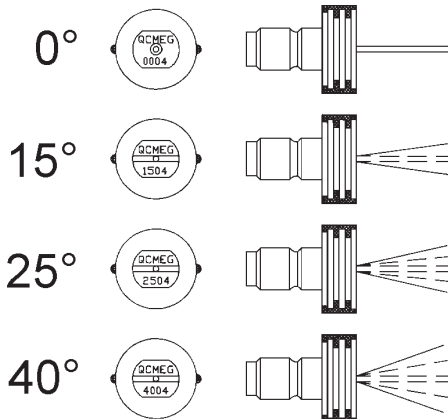
⚠ WARNING RISK OF INJECTION CAUSING SEVERE INJURY! NEVER LOOK DIRECTLY AT THE NOZZLE ORIFICE UNLESS IT IS DISCONNECTED FROM THE GUN/WAND ASSEMBLY!

Various nozzles may be quick-connected into the end of the wand to change the spray pattern. When using Quick Connects (Q.C.), be certain the connection is securely locked. If not, the high pressure water may shoot the nozzle from the wand, causing severe injury or serious damage. To determine spray fan, refer to the actual number stamped on the nozzle. The first two digits indicate the spray fan in degrees, i.e.; 00=0°, 15=15°, 25=25°, 40=40°.

CONNECTION OF Q.C. NOZZLES



QUICK-CONNECT (Q.C.)



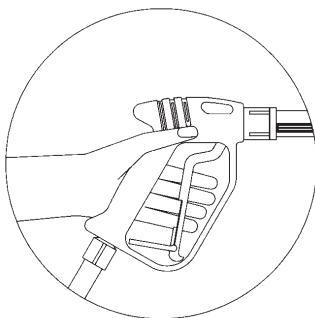
1. The 0° nozzle (RED): This is a blasting nozzle. It delivers a very concentrated stream of water. Be cautious when using the straight narrow stream. It is not recommended for use on painted or wood surfaces, or items attached with adhesive backings. Uses: Removing weeds from sidewalk cracks, stubborn stains from concrete, masonry, aluminum and steel, caked mud from equipment, and cleaning lawn mower undersides.
2. The 15° nozzle (YELLOW): This is a chiseling nozzle. The spray should be directed at a 45° angle to the surface and used like a scraper to remove paint, grease and dirt. Uses: Surface preparation (removing mildew stains and paint chips).
3. The 25° nozzle (GREEN): This is a flushing nozzle. This pattern is best suited for flushing dirt, mud, and grime. Uses: Wet sweeping leaves from walks, curbs and driveways, cleaning stable floors, washing swimming pool bottoms, degreasing engines.
4. The 40° nozzle (WHITE): This is a wash nozzle. This wide spray pattern disperses the water pressure over a large area and is recommended for moderate washing. Uses: Washing aluminum siding, vehicles, spraying sidewalks, driveways, and patios.

NOZZLE CONNECTION:

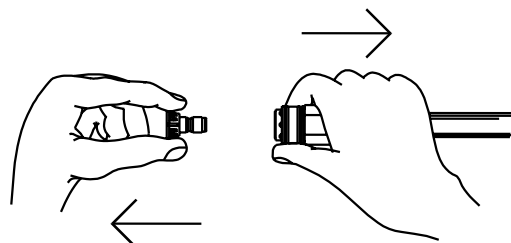
1. Be certain the trigger gun is locked in the "OFF" position.

⚠ WARNING RISK OF INJECTION CAUSING SEVERE INJURY! THE TRIGGER GUN SHOULD ALWAYS BE LOCKED IN THE OFF POSITION WHEN NOT IN USE!

2. The nozzle assembly should be disconnected from the gun assembly at this time by retracting the locking ring on the quick-connect fitting to remove the nozzle.



QUICK-CONNECTION

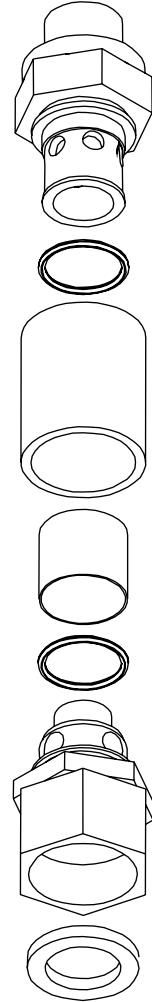


INSTALLATION & PREPARATION

WATER SUPPLY:

1. Select a water supply hose which is a quality grade of garden hose measuring at least 3/4" ID and no longer than 50 feet.
2. Check the see-through water filter to ensure it is clean and free of any obstructions. Periodic cleaning of the see-through water filter will help prevent pump problems. As a filter screen becomes obstructed, it restricts proper flow of water to the pump. This can result in cavitations which will cause premature failure of pump packings.
 - a. Unscrew the garden hose inlet connection from the front of the filter assembly.
 - b. Remove the clear plastic cover and clean the filter screen.
3. Connect the hoses:
 - a. Connect one end of the water supply hose to the water inlet of the unit.
 - b. Connect the other end of the hose to your pressurized water supply. When connecting the water inlet to the water supply mains, local regulations of your water company must be observed. In some areas, the unit must not be connected directly to the public drinking water supply. This is to ensure that there is no feedback of the detergents into the water supply. (Direct connection is permitted if a back flow preventer is installed.)
 - c. Quick-connect the high pressure discharge hose to the water outlet of the unit.
 - d. Connect the other end of the discharge hose to the gun.
4. Follow the incoming water requirements listed below:
 - a. Water pressure must be a minimum of 25 pounds per square inch (PSI) and a maximum of 125 PSI. (A typical outdoor faucet will generally supply this PSI if turned completely "ON".)
 - b. Incoming GPM must be approximately one gallon more than the outgoing GPM stated on the pressure washer nameplate. (You can check GPM by timing how long it takes to fill a 5 gallon container.)
 - c. Incoming water temperature must not exceed 125°F. Excessive pump damage may result if the water temperature exceeds this acceptable level.
5. Never allow the unit to operate without the incoming water line attached and the water supply completely turned on.

CHECK WATER INLET STRAINER



UNLOADER:

The unloader on your machine is equipped with an adjustment knob to adjust the pressure. Should less pressure be required, simply turn the adjustment knob counterclockwise. To set back to maximum, turn adjustment knob completely clockwise. DO NOT OVERTIGHTEN!

⚠ CAUTION RISK OF UNIT DAMAGE! DO NOT OVERTIGHTEN THE UNLOADER. BREAKAGE COULD RESULT IN IMMEDIATE LOSS OF WATER PRESSURE AND COSTLY REPAIRS.

THERMAL RELIEF VALVE:

To ensure the water temperature does not exceed acceptable levels, never allow the pressure washer to operate in the bypass mode (with the unit running and the trigger gun closed) for more than three minutes.

A thermal relief valve has been added to this unit to protect the pump. It may begin to open and release water if the water temperature in the pump has exceeded 140°F. This will allow fresh, cool water to enter the system.

PRE-START INSPECTION PROCEDURES:

Before starting the unit, perform the following procedures:

1. Check the oil level in the pump and engine.

INSTALLATION & PREPARATION

2. Inspect the water inlet strainer. Clean or replace if necessary. See “Water Supply”, #2.
3. Check all hose connections to ensure they are securely tightened. See “Water Supply”, #3.
4. Inspect for system fuel leaks. If a fuel leak is found, DO NOT START UNIT! See “Fire & Ventilation Precautions”, #2 and #4. Be sure that all damaged parts are replaced and that the mechanical problems are corrected prior to operation of the unit. If you require service, contact Customer Service.
5. Inspect high pressure hoses for kinking, cuts and leaks. If a cut or leak is found, DO NOT USE HOSE! Replace hose before starting unit. See “Miscellaneous Safety Precautions” #6. Be sure that all damaged parts are replaced and that the mechanical problems are corrected prior to operation of the unit. If you require service, contact Customer Service.



THE FOLLOWING PAGES CONTAIN OPERATING AND MAINTENANCE INSTRUCTIONS.

DO NOT ATTEMPT TO OPERATE THIS PRESSURE WASHER UNTIL YOU HAVE READ AND UNDERSTOOD

ALL SAFETY PRECAUTIONS AND INSTRUCTIONS LISTED IN THIS MANUAL.

INCORRECT OPERATION OF THIS UNIT CAN CAUSE SERIOUS INJURY!!

DO NOT ALTER OR MODIFY THIS EQUIPMENT IN ANY MANNER!

OPERATING INSTRUCTIONS

PRIMING THE PUMP:



CAUTION RISK OF UNIT DAMAGE. BE CERTAIN THE NOZZLE IS NOT CONNECTED TO THE UNIT WHILE PRIMING THE PUMP. PRIMING ALLOWS MINERAL DEPOSITS TO BE RELEASED FROM THE SYSTEM WHICH WOULD OBSTRUCT OR DAMAGE THE NOZZLE ASSY. RESULTING IN COSTLY REPAIRS.

1. It is essential to prime the pump on initial start-up and each time the water supply is disconnected from the unit after initial use.
2. Lay the high pressure hose out to remove any loops. Water flow will constrict the hose, creating tight loops if the hose is not straight.
3. Securely connect the gun assembly to the high pressure hose.

NOTE: The nozzle assembly should NOT be connected to the gun assembly at this time. See "Nozzle Connection")

4. With the trigger gun locked in the "OFF" position, turn the water supply completely on. Pointing the gun in a safe direction, unlock the trigger gun and squeeze the trigger.



DANGER RISK OF INJECTION CAUSING SEVERE INJURY! -KEEP CLEAR OF NOZZLE! NEVER PLACE HAND OR FINGERS IN FRONT OF NOZZLE! -DO NOT DIRECT DISCHARGE STREAM AT PEOPLE OR PETS! -BE CERTAIN THE NOZZLE IS SECURELY CONNECTED TO THE WAND TO PREVENT ACCIDENTAL DISCHARGE!

5. Low pressure water will begin flowing from the hose/gun assembly. This allows the unit to prime and purge any air from the system. The unit is primed when water flow is uninterrupted by air.
6. Once the unit is primed, release the trigger and lock the gun in the "OFF" position. Securely connect the nozzle assembly. (See "Nozzle Connection")

START-UP:

1. Refer to the "Safety Precautions" before starting the unit.
2. Locate the Safety Decals on your unit and heed their warnings.
3. With the gun locked in the "OFF" position, Point the trigger gun away from yourself or anyone else. Ensure the water supply is completely turned on.
4. Disengage the safety lock-off on the gun and squeeze the trigger. Low pressure water will begin flowing from the nozzle.
5. BE CERTAIN the trigger gun remains in an open position while starting the engine. Brace yourself as the gun will kickback from the high pressure created by the pump once the engine has started.
6. Steady the unit during engine start-up. (Refer to the engine manual accompanying this pressure washer for the correct procedures needed to start the engine.)
7. Once the engine has started, perform the following procedures with the gun open:
 - a. Inspect for system oil leaks and fuel leaks. If a fuel leak is found, TURN UNIT OFF IMMEDIATELY! See "Fire & Ventilation Precautions", #2 and #4. Be sure that all damaged parts are replaced and that the mechanical problems are corrected prior to operation of the unit. If you require service, contact Customer Service.
 - b. Inspect high pressure hoses for kinking, cuts and leaks. If a cut or leak is found, DO NOT TOUCH HOSE AT LEAK!!! TURN UNIT OFF IMMEDIATELY! Replace hose before restarting the unit. See "Miscellaneous Safety Precautions" #6. Be sure that all damaged parts are replaced and that the mechanical problems are corrected prior to operation of the unit. If you require service, contact Customer Service.
8. Trigger the gun several times. Be certain to LOCK the trigger gun in the

OPERATING INSTRUCTIONS

“OFF” position whenever changing the quick connect nozzles. NEVER look directly into the nozzle! High pressure water creates a risk of severe injury!

9. Do not allow unit to operate in bypass mode (with trigger closed) for more than three minutes without triggering the gun. Failure to follow this simple rule can cause premature failure of pump packing seals, resulting in costly pump repair.

 **CAUTION RISK OF DAMAGE. DO NOT ALLOW SPRAY PATTERN TO REMAIN ON A FIXED AREA FOR AN EXTENDED PERIOD OF TIME. POSSIBLE DAMAGE MAY OCCUR TO THE AREA.**

10. Because your pressure washer delivers a high pressure spray and a variety of spray patterns, there are many cleaning jobs that can be done without the use of detergents.

SHUT-DOWN:

1. Turn engine “OFF” as directed in the Engine Manual.
2. Turn the water supply “OFF”.
3. Pointing the gun in a safe direction, trigger gun momentarily to relieve any trapped pressure.
4. Once pressure is relieved, disconnect the nozzle assembly.
5. Disconnect and drain gun, wand and hoses.
6. Wipe unit clean and store with gun, wand and hoses in a safe, non-freezing area.

STORAGE & MAINTENANCE

SPECIFIC MAINTENANCE:

ENGINE: The engine instructions that accompany your unit detail specific procedures for maintenance of the engine. Following the engine manufacturer's recommendations will extend engine work life.

PUMP: The pump oil must be changed after the first 25 hours of operation. Once the initial oil change has been completed, it is recommended the oil be changed every 3 months or 250 hour intervals. If oil appears dirty or milky, changes may be required at a greater frequency. Use pump oil AW-4085-0016 and fill only to the center of the oil sight glass. **DO NOT OVERFILL!**

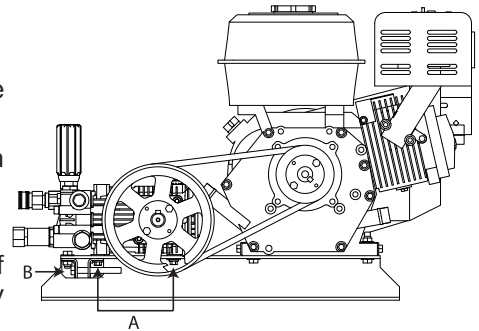
NOZZLES: Water flow through the spray nozzle will erode the orifice, making it larger, resulting in a pressure loss. Nozzles should be replaced whenever pressure is less than 85% of the maximum. The frequency of replacement will depend upon such variables as mineral content in the water and number of hours the nozzle is used.

QUICK COUPLERS: There is an o-ring seal inside the female quick coupler. This o-ring will deteriorate or, if the unit is allowed to pump without the high pressure hose or nozzle attached, the o-ring may be blown out occasionally. Simply insert a replacement o-ring to correct the leak. (Additional o-rings can be purchased from your dealer.)

BELT TENSION ADJUSTMENT: To maintain peak performance of your pressure washer, it may be necessary to adjust the belt tension on occasion. Follow the procedure outlined below:

1. Remove the belt guard and loosen the four bolts on the pump (Reference A).
2. Turn the cap screw (Reference B) clockwise until a 1/2 inch belt deflection is noticed between the pulleys.
3. Tighten the bolts. (Reference A)
4. Put a straight edge across both pulleys. If necessary, loosen one set of pulley screws and adjust in or out to properly align. Tighten the pulley screws and check the tension again.
5. Replace the beltguard and tighten the fasteners securely.

BELT TENSION ADJUSTMENT



WINTERIZING:

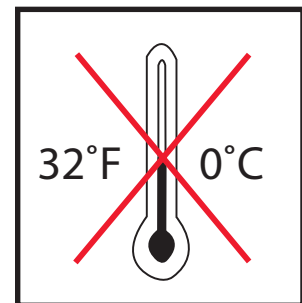
For storage and transportation purposes in subfreezing ambient temperatures, it will be necessary to winterize this unit. This unit must be protected to the lowest incurred temperature for the following reasons:

1. If any part of the pumping system becomes frozen; excessive pressure may build up in the unit which could cause the unit to burst resulting in possible serious injury to the operator or bystanders.
2. The pumping system in this unit may be permanently damaged if frozen. **FREEZE DAMAGE IS NOT COVERED BY WARRANTY.**

⚠ WARNING RISK OF UNIT BURSTING. DO NOT STORE / OPERATE UNIT IN A FREEZING ENVIRONMENT!

If you must store your unit in an area where the temperature may fall below 32°F, you can protect your unit by following the procedure outlined below.

1. Gather the following items:
 - a. Two 5 gallon containers.
 - b. One gallon of antifreeze. (an environmentally safe antifreeze is recommended.)
 - c. Water supply.
 - d. Three foot hose, 1/2-3/4 I.D. with a 3/4 inch male garden hose fitting.
2. Procedure:
 - a. To start winterizing, unit must be run and primed according to the "Start-up Procedures".



STORAGE & MAINTENANCE

- b. After running and priming, shut off the unit and water supply.
- c. Relieve system pressure by pointing the trigger gun in a safe direction and squeezing the trigger until water flow ceases to exit the nozzle.
- d. Lock the trigger gun in an OFF position and remove the nozzle.
- e. In one 5 gallon container, mix the antifreeze and water according to manufacturer's recommendations for the temperature to which you are winterizing.

NOTE: Proper winterizing is based on the recommended manufacturer's instructions listed on the "Protection Chart" shown on the back label of most antifreeze containers.

- f. Remove the water supply hose from the unit and attach the 3 foot hose securely to the inlet connection. Submerge the other end into the antifreeze solution.
 - g. Point the wand into the empty container and start the unit.
 - h. Trigger the gun until the antifreeze begins to exit the wand. Release the trigger for 3 seconds, then trigger the gun for 3 seconds. Continue cycling the gun several times until all the antifreeze mixture is siphoned from the container.
 - i. Stop the unit.
 - j. Detach the 3 foot hose from the unit and drain any excess antifreeze back into the 5 gallon container.
 - k. Disconnect the hose/gun/wand assembly from the unit and drain any excess antifreeze back into the 5 gallon container.
 - l. Store the hose, gun and wand with the unit in a safe, non-freezing area.
 - m. Store antifreeze solution for next use or dispose of according to state EPA laws.
3. Optional Procedure:
- a. Shut the unit and water supply off.
 - b. Relieve system pressure by pointing the trigger gun in a safe direction and squeezing the trigger until water flow ceases to exit the nozzle.
 - c. Disconnect and drain the hose, gun and wand.
 - d. Start the unit and allow it to run until all the water exits the unit. Once the water has stopped flowing from the unit, turn the unit off.

NOTE: When using this procedure, caution should be used as ice chips can form from drops of water which could cause the unit to burst if starting before completely thawed.

TROUBLE SHOOTING

SYMPTOM	PROBABLE CAUSE	REMEDY
Engine will not start.	Various engine problems.	Refer to the Engine Manual accompanying your unit.
	Unit components are frozen.	Allow to thaw. If any part of the unit becomes frozen; excessive pressure may build up in the unit which could cause the unit to burst resulting in possible serious injury to the operator or bystanders.
No discharge at nozzle when trigger mechanism is squeezed.	Inadequate water supply.	Ensure hose is 3/4" diameter and incoming water supply is turned on.
	Kink in water inlet hose.	Remove kink.
Low or fluctuating pressure.	Kink in high pressure discharge hose.	Replace hose.
	Water inlet strainer obstructed.	Remove screen, clean or replace.
	Pump sucking air. (Prime eliminated)	Tighten all water intake connections. Eliminate leaks in intake line.
	Not in high pressure mode	Insert high pressure nozzle.
	Obstructed or worn spray nozzle.	Remove, clean or replace.
	Damaged or obstructed valve assy.on pump.	Remove, inspect, clean or replace.
	Pump packings worn.	Replace packings.
	Unloader valve not operating correctly.	Repair or replace.
Water is leaking from the "Heat Dump Valve"	Water temperature is too high.	Do not allow the unit to operate in the bypass mode (with trigger gun closed) for more than 3 minutes.
	Defective valve.	Replace.
Oil appears milky or foamy.	Water in oil.	Change pump oil. Fill to proper level.
Oil leaking from unit.	DO NOT USE!!!!	Contact Customer Service.
Water flows from the nozzle when the trigger gun is locked in the "OFF" position.	Gun is malfunctioning.	Repair or replace.

STATEMENT OF WARRANTY

The manufacturer warrants all parts, (except those referred to below), of your new pressure washer to be free from defects in materials and workmanship during the following periods:

For Lifetime against freezing and cracking:

Pump Manifold

For Seven (7) limited Years from the date of original purchase:

High Pressure Pump

For Two (2) limited Years from the date of original purchase:

Cart Assembly Pulley Plumbing

For One (1) limited Year from the date of original purchase:

GFCI Cord Selector Switch

Starter Contactor Overload

For Ninety (90) days from the date of original purchase:

Trigger Gun/Wand Stainer/Filter

Unloader Valve High Pressure Hose

Defective parts not subject to normal wear and tear will be repaired or replaced at our option during the warranty period. In any event, reimbursement is limited to the purchase price paid.

EXCLUSIONS

1. The Engine is covered under separate warranty by its respective manufacturer and is subject to the terms set forth therein.
2. Normal wear parts:
Pump Packings Spray Nozzles Pump Valves
Detergent Valves O-rings Belts
Quick Couplings / Screw Connects
3. This warranty does not cover parts damaged due to normal wear, misapplication, misuse, operation at other than recommended speeds, pressures or temperature. Parts damaged or worn because of the use of caustic liquids or by operation in abrasive or corrosive environments or under conditions causing pump cavitation are not warranted. Failure to follow recommended operating and maintenance procedures also voids warranty.
4. The use of other than Genuine Repair Parts will void warranty. Parts returned, prepaid to our factory or to an Authorized Service Center will be inspected and replaced free of charge if found to be defective and subject to warranty. There are no warranties which extend beyond the description of the face hereof. Under no circumstances shall the manufacturer bear any responsibility for loss of use of the unit, loss of time or rental, inconvenience, commercial loss or consequential damages.

TABLA DE MATERIAS

INTRODUCCION	21
ADVERTENCIAS IMPORTANTES DE SEGURIDAD	22
PRECAUCIONES CONTRA INCENDIO Y DE VENTILACION:	22
PRECAUCIONES PARA ROCIADO:	22
PRECAUCIONES MISCELANEAS DE SEGURIDAD:	23
PRECAUCIONES DE AJUSTE:	24
ELEMENTOS Y COMPONENTES	25
CALCOMANIAS DE SEGURIDAD	26
VESTIMENTA:	27
PREPARACIÓN:	27
TANQUE DE COMBUSTIBLE DEL MOTOR:	27
INSTALACION Y PREPARACION	27
BOQUILLAS:	28
CONEXION DE LA BOQUILLA:	28
SUMINISTRO DE AGUA:	29
DESCARGADOR:	30
VALVULA DE DESCARGA TERMICA:	30
PROCEDIMIENTOS DE INSPECCION ANTES DEL ARRANQUE:	30
CEBADO DE LA BOMBA:	31
ARRANQUE:	31
INSTRUCCIONES DE OPERACION	31
APAGADO:	32
MANTENIMIENTO ESPECIFICO:	33
PREPARACION PARA EL INVIERNO:	33
ALMACENAMIENTO Y MANTENIMIENTO	33
LOCALIZACION DE FALLAS	35
DECLARACIÓN DE GARANTÍA	36

⚠ ADVERTENCIA

⚠ ADVERTENCIA: Este producto puede exponerlo a productos químicos, incluido el plomo, que el Estado de California conoce a causar cáncer y defectos congénitos u otros daños reproductivos. Para obtener más información, visite www.P65Warnings.ca.gov

⚠ ADVERTENCIA

⚠ ADVERTENCIA: Este producto puede exponerle a químicos incluyendo carbon monoxide, que es conocido por el Estado de California como causante de defectos de nacimiento u otros daños reproductivos. Para mayor información, visite www.P65Warnings.ca.gov.

INTRODUCCION

¡Felicitaciones por la compra de su nueva lavadora a presión! Puede estar seguro que su lavadora a presión fue construida con el nivel más alto de precisión y exactitud. Cada componente ha sido probado rigurosamente por técnicos para asegurar la calidad, la resistencia y el rendimiento de esta unidad.

Este manual del operador fue compilado para su beneficio. Leyendo y siguiendo los pasos simples de seguridad, instalación, operación, mantenimiento y localización de fallas descritos en este manual ayudará a prolongar aun más la operación libre de fallas que usted puede esperar de su nueva lavadora a presión. El contenido de este manual está basado en la información actualizada disponible al momento de la publicación. El fabricante se reserva el derecho de efectuar cambios en precio, color, materiales, equipo, especificaciones o modelos en cualquier momento sin previo aviso.

¡IMPORTANTE!

Estos párrafos están rodeados por una “CASILLA DE ALERTA DE SEGURIDAD”. Esta casilla se usa para designar y enfatizar las Advertencias de Seguridad que deben seguirse al operar esta lavadora a presión. Acompañando a las Advertencias de Seguridad están las “palabras de alerta” que designan el grado o nivel de seriedad de riesgo. Las “palabras de alerta” usadas en este manual son las siguientes:

PELIGRO: INDICA UNA SITUACIÓN INMINENTE RIESGOSA LA CUAL, SI NO SE EVITA, RESULTARA EN LA MUERTE O EN LESIONES GRAVES.

ADVERTENCIA: INDICA UNA SITUACIÓN POTENCIALMENTE RIESGOSA LA CUAL, SI NO SE EVITA, PODRIA RESULTAR EN LA MUERTE O EN LESIONES GRAVES.

PRECAUCION: INDICA UNA SITUACIÓN POTENCIALMENTE RIESGOSA LA CUAL, SI NO SE EVITA PUEDE RESULTAR EN LESIONES MENORES O MODERADAS.

El símbolo indicado a la izquierda de este párrafo es el “Símbolo de Alerta de Seguridad”. Este símbolo se usa para alertarlo acerca de artículos o procedimientos que podrían ser peligrosos para usted u otras personas usando este equipo.



PROVEA SIEMPRE UNA COPIA DE ESTE MANUAL A CUALQUIER PERSONA QUE USE ESTE EQUIPO. LEA TODAS LAS INSTRUCCIONES ANTES DE OPERAR ESTA LAVADORA A PRESION, OBSERVANDO EN PARTICULAR LAS “ADVERTENCIAS DE SEGURIDAD” PARA EVITAR LA POSIBILIDAD DE LESIONES PERSONALES AL OPERADOR.

Escriba el número de serie de su unidad en el espacio provisto abajo, una vez que la unidad haya sido desempacada.

NUMERO DE SERIE _____

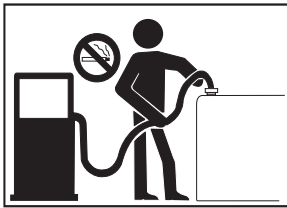
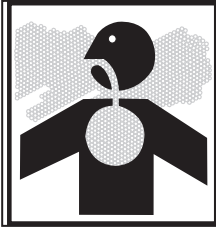
Inspeccione por daño el contenido de la caja. Si algo parece dañado, NO LA DEVUELVA AL LUGAR DE COMPRA. Llame a su representante de servicio al cliente.

Por favor tenga disponible la información siguiente para todas las llamadas de servicio:

1. Número de modelo
2. Número de serie
3. Fecha y lugar de compra

ADVERTENCIAS IMPORTANTES DE SEGURIDAD

PRECAUCIONES CONTRA INCENDIO Y DE VENTILACION:



1. Esta unidad fue diseñada para uso al aire libre solamente. NUNCA opere esta unidad en un área cerrada. SIEMPRE asegúrese que haya aire (oxígeno) adecuado para la combustión así también como ventilación adecuada para evitar la presencia de gases venenosos de monóxido de carbono. Esté alerta en áreas mal ventiladas o con ventiladores aspiradores que pueden causar una combustión inadecuada o sobrecalentamiento del motor.
2. NUNCA opere esta unidad en la presencia de vapores inflamables o polvo, gases combustibles u otros materiales combustibles. (Una chispa puede causar una explosión o incendio.) Tenga cuidado de descartar apropiadamente los materiales inflamables. NO rocíe líquidos inflamables.
3. TANQUE DE COMBUSTIBLE DEL MOTOR
 - a. NO FUME MIENTRAS LLENA EL TANQUE DE COMBUSTIBLE DEL MOTOR
 - b. NUNCA llene el tanque de gasolina mientras el motor está funcionando o está caliente. Permita que el motor se enfríe durante dos minutos antes de cargar combustible.
 - c. NO cargue gasolina en un ambiente cerrado o en un área mal ventilada.
 - d. SIEMPRE cargue combustible lentamente para evitar la posibilidad de combustible derramado que puede ocasionar un riesgo de incendio.
4. NO opere la unidad si hay combustible derramado. Limpie la unidad y aléjela del área del derrame. Evite crear cualquier encendido hasta que se haya evaporado la gasolina.
5. NO almacene la unidad cerca de una llama abierta ni de ningún equipo tal como cocina, horno, calentador de agua, etc., que utilice una llama piloto o mecanismos que puedan crear una chispa.

IMPORTANTE

Lo siguiente es requerido por la ley del estado de California, sección 4442 del Código de Recursos Públicos de California. Otros estados pueden tener leyes similares. Las leyes federales se aplican en las tierras federales.

Si este motor se usará en tierras no mejoradas cubiertas de bosques, cubiertas de matorrales o grama, debe agregarse un supresor de chispas al silenciador. El supresor debe ser mantenido en condiciones efectivas de trabajo por el operador.

Para opciones del supresor de chispas del silenciador consulte con su distribuidor de motores o equipo.

PRECAUCIONES PARA ROCIADO:

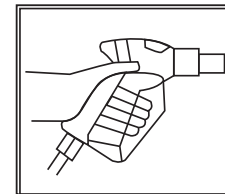
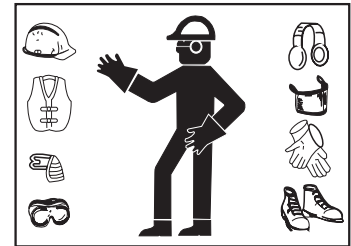
⚠ PELIGRO RIESGO DE INYECCION O DE LESION GRAVE DE CORTE MANTENGASE ALEJADO DE LA BOQUILLA! NO DIRIJA LA CORRIENTE DE DESCARGA A LAS PERSONAS NI A LOS NIMALES DOMESTICOS! SOLO LOS OPERADORES ENTRENADOS DEBEN USAR ESTE EQUIPO. DEBEN OBSERVARSE SIEMPRE LAS PRECAUCIONES BASICAS, INCLUYENDO LAS SIGUIENTES:

1. MANTENGASE ALEJADO DEL ROCIADO
 - a. Los fluidos pueden penetrar la piel, causando lesiones graves, a causa de la alta presión y velocidad del rociado.
 - b. Nunca apunte la pistola hacia usted ni hacia otra persona. Nunca coloque su mano, dedos o cuerpo directamente sobre la boquilla de rociado. Mantenga siempre el área de operación despejada de todas las personas. Ejercer una precaución extrema al operar cerca de niños.
 - c. REQUIERA CUIDADO MEDICO DE EMERGENCIA si ocurriera un accidente y el rocío parece haber penetrado la piel. NO LO TRATE

ADVERTENCIAS IMPORTANTES DE SEGURIDAD

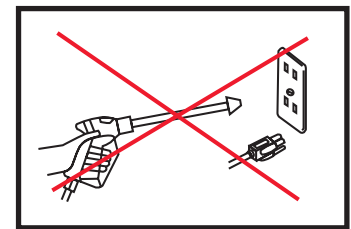
COMO UN CORTE SIMPLE. Si usted está usando agentes limpiadores, esté preparado a informar a su médico exactamente de qué clase.

2. SIEMPRE use antiparras protectoras al operar la unidad, para proteger los ojos contra desechos despedidos y detergentes. Otros equipos protectores tales como trajes de goma, guantes y respiradores son recomendables, especialmente al usar detergentes de limpieza. Ejercer una precaución extrema al operar cerca de niños.
3. Esté alerta - observe lo que hace. No opere la unidad cuando esté fatigado o bajo la influencia de alcohol o drogas.
4. NUNCA accione el gatillo a menos que la unidad esté firmemente sujeta. El empuje del agua recorriendo la boquilla puede ser lo suficientemente poderoso como para causar que el operador pierda el equilibrio si no está preparado. NO SE INCLINE ni se pare sobre un apoyo inestable. Las superficies húmedas pueden ser resbalosas, use equipo protector de calzado y manténgase bien parado y en equilibrio en todo momento. NUNCA accione el gatillo de la pistola mientras esté en una escalera o en el techo.
5. NO dirija el rociado hacia materiales frágiles tales como vidrio. El astillado podría resultar en lesiones graves.
6. SIEMPRE sujete firmemente el conjunto de pistola/vara al arrancar y operar la unidad. El no hacerlo puede causar que la vara caiga y azote peligrosamente. NUNCA opere la pistola con el gatillo conectado en la posición abierta. La pistola a gatillo debería estar bien asegurado cuando no se usa, para evitar una descarga accidental.
7. ¡NO dirija el rociado de agua hacia o dentro de ninguna instalación eléctrica! Esto incluye tomacorrientes, lámparas eléctricas, transformadores, la unidad misma, etc. Puede ocurrir un choque eléctrico grave.
8. Aun después que apague la unidad, hay agua a alta presión en la bomba, manguera y pistola hasta que la elimine accionando el gatillo. SIEMPRE apague la unidad y accione el gatillo para liberar la presión interna, antes de sacar la boquilla de rociado o reparar la unidad.



PRECAUCIONES MISCELANEAS DE SEGURIDAD:

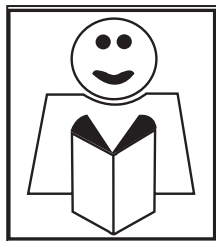
1. ¡NUNCA PERMITA QUE LOS NIÑOS O ADOLESCENTES OPEREN ESTA UNIDAD!
2. Lea y observe todas las instrucciones de manejo, funcionamiento, mantenimiento y seguridad incluidas en este manual y en el manual del operador del motor que acompañan a esta unidad, y provea tal información a CUALQUIERA que opere esta unidad.
3. La unidad debe estar suficientemente caliente como para asegurar que no haya formación de hielo en la bomba, a temperaturas de congelación. NO arranque esta unidad, si ha sido transportada en un vehículo abierto o sin suficiente calefacción, sin permitir primero que la bomba se descongele.
4. Deben observarse los reglamentos locales de su compañía de agua, al conectar la entrada de agua a las cañerías maestras de agua. En algunas áreas la unidad no debe conectarse directamente al suministro público de agua potable. Esto es para asegurar que no haya realimentación de los detergentes al suministro de agua. (Se permite la conexión directa si se instala un supresor de flujo de retroceso.)
5. NO permita que ninguna parte de su cuerpo ni de la manguera de alta presión toque el silenciador. Evite arrastrar la manguera sobre una superficie abrasiva tal como cemento. Esto causa desgaste y eventual ruptura.
6. Las mangueras de alta presión deberían inspeccionarse diariamente por señas de desgaste. Si existe evidencia de falla, reemplace rápidamente todas las mangueras sospechosas para evitar la posibilidad de lesiones causadas por rociado a alta presión. Si una manguera o adaptador pierden,



ADVERTENCIAS IMPORTANTES DE SEGURIDAD

NUNCA coloque su mano directamente sobre la pérdida.

7. No opere la unidad sin todas las cubiertas protectoras en su sitio.
8. NUNCA haga funcionar la máquina con el gobernador desconectado ni la opere a velocidades excesivas.
9. Mientras opere esta unidad, mantenga una distancia segura para las personas, para reducir el riesgo de lesiones. Al operar la unidad cerca de niños se requiere una supervisión estrecha.
10. NO deje desatendida la unidad presurizada. Apague la unidad y descargue la presión interna antes de alejarse.
11. NO mueva la unidad tirando de la manguera.

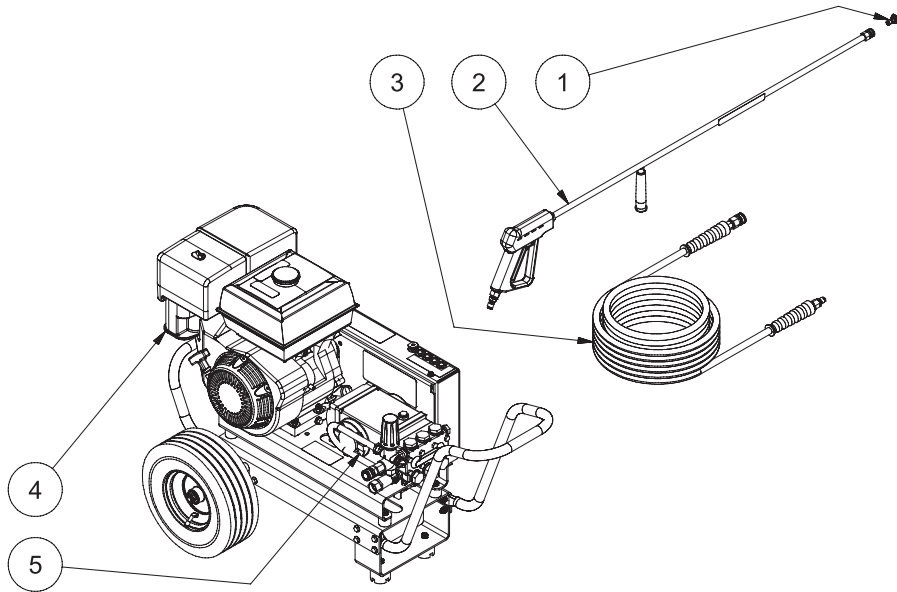


PRECAUCIONES DE AJUSTE:

1. NUNCA altere ni modifique el equipo, asegúrese que todos los artículos accesorios y los componentes del sistema que se usan resistirán la presión desarrollada. Use SOLO piezas genuinas para reparar su lavadora a presión. El no hacerlo puede causar condiciones operativas riesgosas y cancelará la garantía.
2. NUNCA efectúe ajustes a la máquina mientras esté conectada al motor, sin sacar primero el cable de encendido de la bujía. El girar la máquina a mano durante el ajuste o la limpieza podría arrancar el motor y la máquina, lo que causará lesiones graves al operador.
3. Sepa cómo detener la lavadora a presión y purgar las presiones rápidamente. Esté completamente familiarizado con los controles.
4. Apague la unidad, elimine la presión de agua, y permita que la unidad se enfríe, antes de repararla. Preste servicio en un área limpia, seca y plana. Para evitar que la unidad se mueva, bloquee las ruedas.
5. Observe las instrucciones de mantenimiento especificadas en este manual.

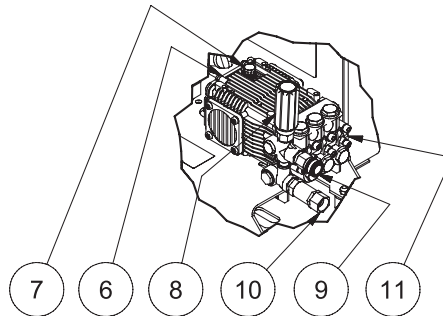
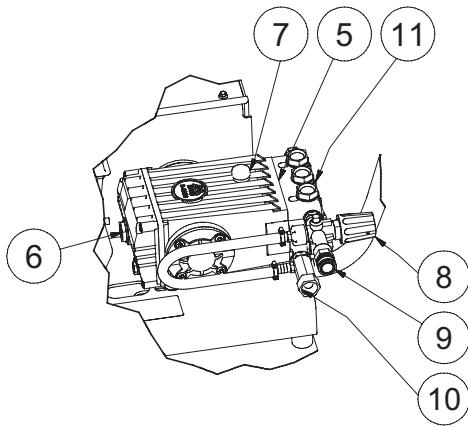
¡GUARDE ESTAS INSTRUCCIONES!

ELEMENTOS Y COMPONENTES



Descargador con bypass

El perno del descargador



LISTA DE LOS ELEMENTOS Y COMPONENTES

- | | |
|---|--------------------------------------|
| 1. Acoples Rápidos Boquilla | 7. Varilla del aceite |
| 2. Conjunto de la pistola | 8. Perilla ajustable del descargador |
| 3. Manguera de descarga de alta presión | 9. Salida de agua |
| 4. Motor | 10. Entrada de agua |
| 5. Bomba | 11. Válvula de descarga termal |
| 6. Vidrio de nivel de aceite | |

CALCOMANIAS DE SEGURIDAD

NO RETIRE LAS CALCOMANIAS DE SEGURIDAD DE LA UNIDAD A MENOS QUE LAS REEMPLACE POR LAS CALCOMANIAS DE SEGURIDAD MAS RECIENTES!

Calcomanía-Combustible del motor (Pieza No. 34-0599)

⚠ CAUTION/PRECAUCIÓN	
RISK OF FIRE Do not add fuel when product is operating. Allow engine to cool for two (2) minutes before refueling. <small>34-0599/07262012</small>	RIESGO DE FUEGO No ponga combustible cuando el producto este en operacion. Permita que el motor se enfrie por 2 minutos antes de reablastecer de combustible.

Calcomanía-Riesgo de inyección. (Pieza No.34-0572)

	⚠ WARNING RISK OF INJECTION OR SEVERE INJURY Never put your hand, fingers or body directly over the spray nozzle. <small>34-1253/07272012</small>	⚠ ADVERTENCIA RIESGO DE INYECCIÓN O LESIÓN SEVERA Nunca coloque la mano, los dedos o el cuerpo directamente sobre la boquilla de rocío.
---	--	---

Calcomanía-Silenciador caliente (Pieza No.34-0598)

⚠ WARNING/ADVERTENCIA	
RISK OF BURNS Muffler and adjacent areas may exceed 150°F. <small>34-0598/07262012</small>	<div style="text-align: center;"></div> RIESGO DE QUEMAR El amortiguador y las areas adyacentes pueden Tener temperaturas por arriba de 65°C.

Calcomanía-Declaraciones Beltguard (Pieza No. 34-0826)

⚠ WARNING/ADVERTENCIA	
Do not operate unit without beltguard in place.	No opere la unidad sin todas la cubierta correa en su sitio. <small>34-0826/07262012</small>

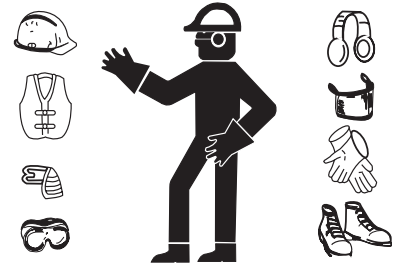
Calcomanía-Declaraciones de Precaución/Advertencia (Pieza No. 34-0812)

⚠ WARNING/ADVERTENCIA	⚠ CAUTION/PRECAUCIÓN
<p>⚠ WARNING: Cancer and Reproductive Harm — www.P65warnings.ca.gov/</p> <ul style="list-style-type: none"> •RISK OF INJECTION OR SEVERE INJURY: Keep clear of nozzle. Do not direct spray toward any person or self. This machine is to be used only by qualified operators. •RISK OF ASPHYXIATION: Outdoor use only required. •RISK OF FIRE: Do not smoke while refueling. Allow to cool two to three minutes before refueling. Do not operate while refueling. •RISK OF ELECTROCUTION: Do not direct spray toward any electrical connections, outlets or power lines. •RISK OF EXPLOSION: Do not spray flammable liquids or in an area containing combustible dust, liquids or vapors. •RISK OF INJURY: Use only properly rated equipment. 	<ul style="list-style-type: none"> •TO REDUCE RISK OF INJURY: Read and understand the operation manual and all instructions before using. •STAY ALERT: Hold onto gun/wand firmly with both hands to avoid dangerous kickbacks. •Always wear eye protection. •Do not overreach or stand on unstable support. Keep good footing and balance at all times. •Always turn on water supply to pump before starting. •Protect pump from freezing. •Engage trigger safety lock-off when not in use.
<p>⚠ ADVERTENCIA: Peligro de cáncer y daño reproductivo — www.P65warnings.ca.gov/</p> <ul style="list-style-type: none"> •RIESGO DE INYECCION O LESION SEVERA: Mantenga la boquilla despejada. No dirija el chorro hacia persona alguna o hacia usted. •RIESGO DE ASFIXIA: Unicamente para uso en el exterior. •RIESGO DE FUEGO: No fume mientras este reabasteciendo de combustible. Permita que le motor se enfrie dos o tres minutos antes del reabastecimiento. No opere el productor durante el reabastecimiento. •RIESGO DO ELECTROCUCION: No dirija el chorro hacia conexiones elctricas, tomas de corriente o lineas de alimentacion de corriente. •RIESGO DO EXPLOSION: No rocíe líquidos inflamables. •RIESGO DE LESION: Use unicamente equipo con clasificacion adecuada. 	<ul style="list-style-type: none"> •PARA REDUCIR EL RIESGO DE QUE OCURRAN LESIONS: Lea y entienda el manual de operacion y todas las instrucciones antes de usar el producto. •PERMANIZCA ALERTA: Sostenga la pistola varilla firmemente con ambas manos para evitar golpes de retorcado peligroso. •Use siempre proteccion ocular. •No se extienda demasiado o se pare en un apoyo inestable. Mantenga una buena posicion y balance todo el tiempo. •Antes de comenzar, abra siempre el suministro de agua a la bomba. •Proteja la bomba de la congelacion. •Coloque el seguro del gatillo en la posicion apagado cuando no este usando el producto.
<small>34-0812/071218</small>	

INSTALACION Y PREPARACION

VESTIMENTA:

Una vestimenta apropiada es esencial para su seguridad. Se recomienda que utilice cualquier medio necesario para proteger los ojos, los oídos y la piel. Al usar agentes limpiadores detergentes con esta lavadora, puede requerirse una vestimenta adicional de seguridad (tal como una máscara respiratoria).



PREPARACIÓN:

1. Al operar esta unidad, debería colocarse solamente sobre una superficie nivelada para asegurar una lubricación apropiada del motor y de la bomba de agua.
2. NO coloque la unidad en un área:
 - a. con ventilación insuficiente.
 - b. donde haya evidencia de pérdidas de aceite o combustible.
 - c. donde puedan estar presentes vapores de gas inflamable.
3. Asegúrese de inmovilizar las ruedas para evitar que la unidad se mueva durante el funcionamiento.
4. Si cualquier parte de la unidad se congela, esto puede causar una acumulación excesiva de presión en la misma lo que podría causar que reviente, resultando en posibles lesiones al operador o a los observadores.
5. Revise el indicador del nivel de aceite en el cárter de la bomba. Asegúrese que el aceite esté al nivel correcto indicado por el punto en el vidrio de nivel. Use aceite para bombas de # AW-4085-0016 si parece que el nivel está bajo.

TANQUE DE COMBUSTIBLE DEL MOTOR:

⚠ PELIGRO RIESGO DE EXPLOSION O INCENDIO! NO COLOQUE LA UNIDAD EN UN AREA DONDE PUEDAN ESTAR PRESENTES VAPORES INFLAMABLES. ¡UNA CHISPA PODRIA CAUSAR UNA EXPLOSION O UN INCENDIO!

⚠ ¡RIESGO QUE LA UNIDAD REVIENTE! NO ALMACENE NI OPERE LA UNIDAD EN UN AMBIENTE HELADO.

1. Repase las “Precauciones contra incendio y de ventilación” pág. 24, antes de cargar combustible.

⚠ ADVERTENCIA ¡RIESGO DE ASFIXIA! NO OPERE EN UN AREA CERRADA. USE ESTE PRODUCTO EN AREAS BIEN VENTILADAS SOLAMENTE! EL ESCAPE DEL MOTOR CONTIENE MONOXIDO DE CARBONO, UN GAS VENENOSO, INODORO E INVISIBLE. EL RESPIRAR ESTE GAS PUEDE CAUSAR LESIONES GRAVES, ENFERMEDAD Y POSIBLEMENTE LA MUERTE.

2. Ubique las Calcomanías de Seguridad en su unidad y preste atención a sus advertencias.
3. Se recomienda un combustible de octano 86 mínimo para usar con esta unidad. NO MEZCLE ACEITE CON GASOLINA.
4. Compre combustible en cantidades que puedan usarse dentro de los 30 días. Se recomienda el uso de gasolina limpia, fresca y sin plomo. Si la gasolina sin plomo no está disponible puede usarse gasolina con plomo. NO use gasolina que contenga metanol o alcohol.
5. Revise el nivel de aceite del motor antes de arrancar el motor. (Vea el manual del motor.)
6. Llene el tanque de combustible de acuerdo con las instrucciones adjuntas del manual del motor.
7. Serán necesarios ajustes ocasionales del carburador y del regulador para

INSTALACION Y PREPARACION

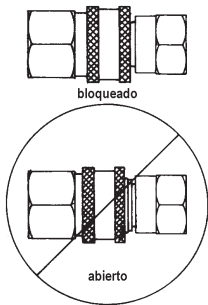
el motor. Para los procedimientos apropiados de ajuste refiérase al manual del motor provisto con esta unidad.

- Repase el manual del motor adjunto de esta lavadora a presión para los procedimientos correctos de arranque y mantenimiento del motor.

⚠ PELIGRO ¡RIESGO DE INCENDIO! ¡NO FUME AL CARGAR COMBUSTIBLE! MIENTRAS LA UNIDAD ESTA FUNCIONANDO O ESTA CALIENTE NO LLENE EL TANQUE DE COMBUSTIBLE. PERMITA QUE LA UNIDAD Y EL MOTOR SE ENFRIEN DURANTE DOS MINUTOS ANTES DE CARGAR COMBUSTIBLE.

NO LLENE EL TANQUE DE COMBUSTIBLE HASTA QUE SE DERRAME. PERMITA 1/4" DE ESPACIO DE TANQUE APROXIMADAMENTE PARA LA EXPANSION DEL COMBUSTIBLE.

CONEXION DE LAS BOQUILLAS DE CONEXION RAPIDA



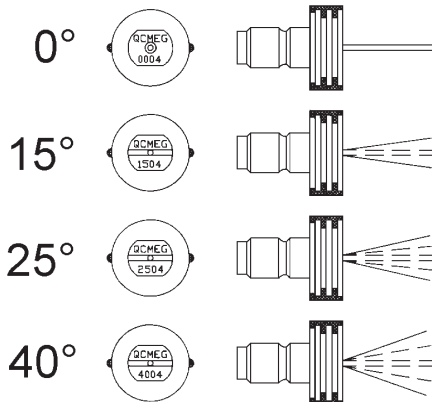
⚠ ADVERTENCIA RIESGO DE EXPLOSION O INCENDIO! MIENTRAS LA UNIDAD ESTA FUNCIONANDO O ESTA CALIENTE, ALMACENE SIEMPRE EL COMBUSTIBLE ALEJADO DE LA LAVADORA.

BOQUILLAS:

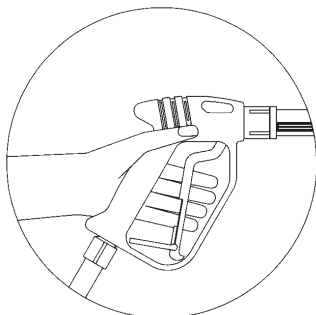
⚠ ADVERTENCIA ¡RIESGO DE INYECCION CAUSANTE DE LESIONES GRAVES! ¡NUNCA MIRE DIRECTAMENTE AL ORIFICIO DE LA BOQUILLA A MENOS QUE ESTE DESCONECTADO DEL CONJUNTO DE LA PISTOLA/VARA!

BOQUILLAS DE CONEXION RAPIDA: Pueden conectarse rápidamente varias boquillas al extremo de la vara para cambiar el patrón de rociado. Asegúrese que la conexión está seguramente calzada, al usar los conectores rápidos (C.R.). En caso contrario el agua a alta presión puede despedir la boquilla de la vara, causando lesiones graves o daños importantes. Refiérase al número estampado en la boquilla, para determinar el patrón de abanico del rociado. Los primeros dos dígitos indican el patrón de abanico del rociado en grados, por ej.: 00=0°, 15=15°, 25=25°, 40=40°.

BOQUILLAS DE CONEXION RAPIDA (C.R.)



- Boquilla de 0° (ROJA):** Esta es una boquilla de disparo que emite una corriente muy concentrada de agua. Debería ejercerse cuidado para evitar rayar la madera o dañar superficie frágiles. Usos: eliminación de malas hierbas de las grietas de las aceras, manchas resistentes del concreto, mampostería, aluminio y acero, lodo endurecido en equipos, y para limpiar el fondo de las cortadoras de césped.
- Boquilla de 15° (AMARILLA):** Esta es una boquilla biselada. El rociado debería dirigirse a un ángulo de 45° sobre la superficie y usarse como un raspador para sacar pintura, grasa y suciedad. Usos: preparación de superficies (eliminación de manchas de moho y escamas de pintura).
- Boquilla de 25° (VERDE):** Esta es una boquilla de limpieza por descarga de agua. Este patrón es más apropiado para limpiar suciedad, lodo, y hollín. Usos: Barrido en mojado de senderos, cordones de las aceras y entradas de garages, limpieza de suelos de los establos, lavado de los fondos de las piscinas de natación, desengrasado de motores.
- Boquilla de 40° (VERDE):** Esta es una boquilla de lavado. Este patrón de rociado amplio dispersa la presión de agua sobre un área grande y se recomienda para un lavado moderado. Usos: Lavado de recubrimientos de aluminio de paredes limpieza de ventanas, lavado de vehiculos, rociado de aceras, entradas de garages, y patios, limpieza de techos.



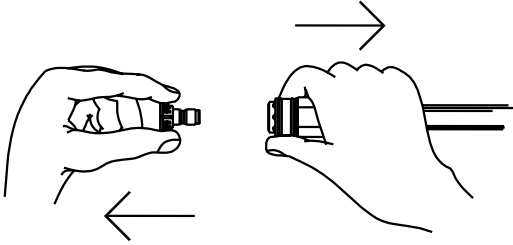
CONEXION DE LA BOQUILLA:

- Asegúrese que la pistola a gatillo esté asegurada en la posición "OFF" (DESCONECTADO). Vea la ADVERTENCIA, a la derecha.

INSTALACION Y PREPARACION

⚠ ADVERTENCIA ¡RIESGO DE LESIONES GRAVES! ¡CUANDO NO SE USA, LA PISTOLA A GATILLO DEBERIA ESTAR SIEMPRE ASEGUADO EN LA POSICION DESCONECTADO!

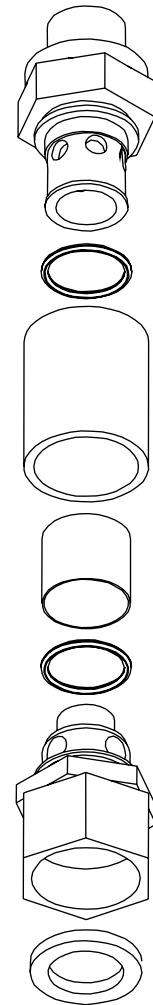
2. Retraiga el anillo de cierre sobre el adaptador de conexión rápida para sacar la boquilla.



SUMINISTRO DE AGUA:

1. Seleccione una manguera de suministro de agua que sea de calidad demanguera de jardín que mida 3/4" de DI por lo menos y que no sea más larga que 50 pies.
2. Inspeccione el tamiz de filtro del agua para asegurar que esté limpio y libre de obstrucciones. La limpieza periódica del tamiz de agua ayudará a prevenir problemas con la bomba. El tamiz restringe el flujo apropiado de agua a la bomba, a medida que se obstruye. Esto puede resultar en cavitaciones que causarán la falla prematura de los empaques de las bombas.
 - a. Desatornille la conexión de la entrada de la manguera del jardín del frente del montaje de filtro.
 - b. Quite la cubierta de plástico claro y limpie la pantalla de filtro.
3. Conecte la mangueras:
 - a. Conecte un extremo de la manguera de suministro de agua a la entrada de agua de la unidad.
 - b. Conecte el otro extremo de la manguera a su suministro presurizado de agua. Cuando conectando la entrada de agua a las canerías de suministro de agua, regulaciones locales de su compañía del agua tenga que observar. En algunas areas la unidad no tenga que conectar directamente al suministro publico. Este es para asegurarse que no había nada retroalimentación de los detergentes entre el suministro del agua. (Es permite que conexión directamente si instale de preventor de corriente atraso.
 - c. Efectúe la conexión de la manguera de descarga de alta presión a la salida de agua de la unidad.
 - d. Conecte firmemente el otro extremo de la manguera a la pistola.
4. Siga los requerimientos de agua entrante listados abajo:
 - a. La presión de agua debe estar a un mínimo de 25 libras por pulgada cuadrada (PSI) y un máximo de 125 PSI. (Un grifo típico al aire libre suministrará generalmente estas PSI si está completamente ABIERTO).
 - b. Los GPM (galones por minuto) entrantes deben ser ser 1 galón más aproximadamente que los GPM salientes deben indicados en la placa de nombre de la lavadora a presión. (Usted puede inspeccionar los GPM observando el tiempo requerido para llenar un recipiente de 5 galones.)
 - c. La temperatura del agua de entrada no debe exceder 125°F. Puede resultar un daño excesivo a la bomba si la temperatura del agua excede este nivel aceptable.
5. Nunca permita que la unidad opere sin que esté conectada la tubería de agua de entrada y el suministro de agua completamente abierto.


INSPECCION EL TAMIZ DE ENTRADA DE AGUA



INSTALACION Y PREPARACION

DESCARGADOR:

Usted puede ajustar la presión, si el descargador de su máquina está equipado con una perilla de ajuste. Si se requiere menos presión, simplemente gire la perilla de ajuste en sentido contrario a las agujas del reloj. Para retornar al máximo, gire completamente la perilla de ajuste en el sentido de las agujas del reloj. ¡NO AJUSTE EN EXCESO!

 **PRECAUCION ¡RIESGO DE DAÑO A LA UNIDAD! NO AJUSTE EN EXCESO EL DESCARGADOR. LA ROTURA RESULTARA EN UNA PERDIDA INMEDIATA DE PRESION DE AGUA Y REPARACIONES COSTOSAS.**

VALVULA DE DESCARGA TERMICA:

Nunca permita que la lavadora a presión opere en el modo de derivación durante más de tres minutos (con la unidad funcionando y la pistola a gatillo cerrado), para asegurar que la temperatura del agua no exceda niveles aceptables.

Se ha agregado una válvula de descarga térmica a esta unidad para proteger la bomba. Puede comenzar a abrirse y permitir la salida de agua si la temperatura del agua en la bomba ha excedido los 140°F. Esto permitirá que agua fresca y fría entre al sistema, evitando por consiguiente la falla prematura del sello del empaque de la bomba.

PROCEDIMIENTOS DE INSPECCION ANTES DEL ARRANQUE:

Efectúe los procedimientos siguientes antes de arrancar la unidad:

1. Inspeccione el nivel de aceite en la bomba y en el motor.
2. Inspeccione el tamiz de entrada de agua. Limpie o reemplace si fuera necesario. Vea “Suministro de agua”, #2.
3. Inspeccione todas las conexiones de las mangueras para asegurar que estén bien ajustadas. Vea “Suministro de agua”, #3.
4. Inspeccione por pérdidas de combustible del sistema. ¡NO ARRANQUE LA UNIDAD, si encuentra una pérdida de combustible! Vea las “Precauciones contra incendio y de ventilación”, #2 y #4. Asegúrese que se reemplacen todas las piezas dañadas y que se corrijan todos los problemas mecánicos antes de operar la unidad. Consulte con el Servicio, si usted requiere servicio.
5. Inspeccione las mangueras de alta presión por dobleces, cortes y pérdidas. ¡NO USE LA MANGUERA, si halla un corte o una pérdida! Antes de arrancar la unidad reemplace la manguera. Vea las “Precauciones misceláneas de seguridad” #6. Asegúrese que se reemplacen todas las piezas dañadas y que se corrijan los problemas mecánicos antes de operar la unidad. Consulte con el Servicio, si usted requiere servicio.



LAS PAGINAS SIGUIENTES CONTIENEN INSTRUCCIONES DE OPERACION Y MANTENIMIENTO.

NO TRATE DE OPERAR ESTA LAVADORA A PRESION HASTA QUE HAYA LEIDO Y ENTENDIDO TODAS LAS PRECAUCIONES E INSTRUCCIONES DE SEGURIDAD LISTADAS EN ESTE MANUAL.

¡¡LA OPERACION INCORRECTA DE ESTA UNIDAD PUEDE CAUSAR LESIONES GRAVES!!

¡¡DE NINGUNA MANERA ALTERE O MODIFIQUE ESTE EQUIPO!!

INSTRUCCIONES DE OPERACION

CEBADO DE LA BOMBA:

⚠ PRECAUCIÓN RIESGO DE DAÑOS A LA UNIDAD. ASEGÚRESE DE QUE LA BOQUILLA NO ESTÉ CONECTADA A LA UNIDAD MIENTRAS CEBE LA BOMBA. EL CEBADO PERMITE QUE LOS DEPÓSITOS MINERALES SE LIBEREN DEL SISTEMA, LO QUE OBSTRUIRÍA O DAÑARÍA EL CONJUNTO DE LA BOQUILLA. RESULTANDO EN REPARACIONES COSTOSAS.

1. Es esencial cebar la bomba en el arranque inicial y cada vez que se desconecta el suministro de agua de la unidad después del uso inicial.
2. Despliegue la manguera de alta presión para eliminar los dobleces. (El flujo de agua endurecerá la manguera, creando bucles rígidos si la manguera no está recta.)
3. Conecte seguramente el conjunto de la pistola a la manguera de alta presión.

NOTA: El conector de la boquilla NO debería conectarse al conjunto de la pistola en este momento. Vea "Conexión de la boquilla".

4. Abra completamente el suministro de agua, con la pistola a gatillo asegurado en la posición "OFF". Suelte el seguro de la pistola a gatillo y accione este último, apuntando la pistola en una dirección segura.

⚠ PELIGRO ¡RIESGO DE INYECCION CAUSANTE DE LESIONES GRAVES! ¡MANTENGASE ALEJADO DE LA BOQUILLA! ¡NUNCA COLOQUE LA MANO NI LOS DEDOS DELANTE DE LA BOQUILLA! ¡NO DIRIJA LA CORRIENTE DE DESCARGA HACIA LAS PERSONAS O LOS ANIMALES! ¡ASEGURESE QUE LA BOQUILLA ESTE SEGURAMENTE CONECTADA A LA VARA PARA EVITAR UNA DESCARGA ACCIDENTAL!

5. Comenzará a fluir agua a baja presión del conjunto de manguera/pistola. Esto permite que la unidad se cebe y purgue todo el aire del sistema. Esta unidad está cebada cuando el flujo de agua no esté interrumpido por el aire.
6. Suelte el gatillo y asegure la pistola en la posición "OFF", una vez que la unidad esté cebada. Conecte seguramente el conjunto de la boquilla. (Vea "Conexión de la boquilla".)


ARRANQUE:

1. Refiérase a las "Precauciones de seguridad" antes de arrancar la unidad.
2. Ubique las calcomanías de seguridad en su unidad y obedezca sus advertencias.
3. Apunte la pistola a gatillo alejado de usted o de cualquier otra persona, con el mismo asegurado en la posición "OFF". Asegúrese que el suministro de agua esté completamente abierto.
4. Desenganche el seguro de la pistola y accione el gatillo. Comenzará a fluir agua a baja presión de la boquilla.
5. Al arrancar el motor, ASEGURESE que la pistola a gatillo permanezca en la posición abierta. Afírmese ya que la pistola retrocederá violentamente a causa de la alta presión causada por la bomba una vez que haya arrancado el motor.
6. Para afirmar la unidad durante el arranque del motor, coloque su pie sobre el chasis o rueda. (Refiérase al manual del motor adjunto a esta lavadora a presión para los procedimientos correctos requeridos para arrancar el motor.)
7. Efectúe los procedimientos siguientes una vez que haya arrancado el motor con la pistola en la posición abierta:
 - a. Inspeccione por pérdidas de aceite y combustible del sistema. ¡APAGUE INMEDIATAMENTE LA UNIDAD, si encuentra una pérdida!

INSTRUCCIONES DE OPERACION

Vea las “Precauciones contra incendio y de ventilación”, #2 y #4. Antes de operar la unidad, asegúrese que se hayan reemplazado todas las piezas dañadas y que se hayan corregido todos los problemas mecánicos. Consulte con el Servicio, si usted requiere servicio.

- b. Inspeccione las mangueras de alta presión por dobleces, cortes y pérdidas. ¡¡¡NO TOQUE LA MANGUERA EN LA PERDIDA, si encuentra un corte o una pérdida!!! ¡APAGUE INMEDIATAMENTE LA UNIDAD! Antes de arrancar nuevamente la unidad, reemplace la manguera. Vea las “Precauciones misceláneas de seguridad” #6. Antes de operar la unidad, asegúrese que se hayan reemplazado todas las piezas dañadas y que se hayan corregido todos los problemas mecánicos. Consulte con el Servicio, si usted requiere servicio.
8. ASEGURE la pistola a gatillo en la posición “OFF” siempre que cambie las boquillas de conexión rápida. ¡NUNCA mire directamente en la boquilla! ¡El agua a alta presión crea un riesgo de lesiones graves!
9. No permita que la unidad funcione en un modo de derivación (con el gatillo cerrado) por más de tres minutos sin accionar el gatillo de la pistola. El no seguir esta simple regla puede causar la falla prematura de los sellos del empaque de la bomba, resultando en una reparación costosa a la misma.

 **PRECAUCION RIESGO DE DAÑO NO PERMITA QUE EL PATRON DE ROCIADO PERMANEZCA EN UNA AREA FIJA DURANTE UN PERIODO PROLONGADO DE TIEMPO. PUEDE OCURRIR UN DAÑO POSIBLE AL AREA.**

10. Puede haber muchas tareas de limpieza que pueden efectuarse sin el uso de detergentes, a causa que la lavadora a presión suministra un rociado a alta presión y una variedad de patrones de rociado.

APAGADO:

1. APAGUE el motor según se instruye en el Manual del Motor.
2. CIERRE el suministro de agua.
3. Accione momentáneamente la pistola a gatillo para eliminar toda la presión interna, apuntando la pistola en una dirección segura.
4. Desconecte el conjunto de la boquilla, una vez que se haya eliminado la presión.
5. Desconecte y drene la pistola, la vara y las mangueras.
6. Limpie la unidad con un paño y almacene con la pistola, la vara y las mangueras en un área segura.

ALMACENAMIENTO Y MANTENIMIENTO

MANTENIMIENTO ESPECIFICO:

MOTOR: Las instrucciones del motor que acompañan a su unidad detallan los procedimientos específicos para el mantenimiento del motor. El observar las recomendaciones del fabricante del motor prolongará la vida útil del motor.

BOMBA: El aceite de la bomba debe ser cambiado después de las primeras 25 horas de operación en todas las unidades. Se recomienda intervalos de 250 horas, después de la carga inicial. Pueden requerirse cambios con mayor frecuencia, si el aceite parece sucio o lechoso. Use aceite para bombas de #AW-4018-0016 y llene sólo hasta la marca en el vidrio. NO llene en exceso.

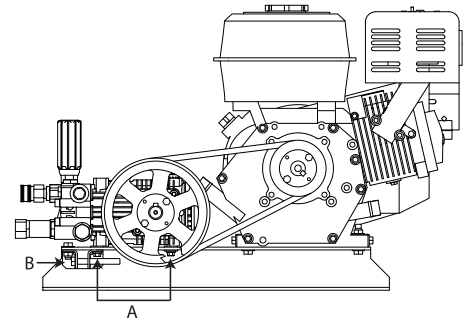
BOQUILLAS: El agua que fluye a través de la boquilla de rociado de conexión rápida desgastará y agrandará el orificio, resultando en una pérdida de presión. Deberían reemplazarse las boquillas siempre que la presión sea menor que el 85% del máximo. La frecuencia de reemplazo dependerá de tales variables tales como el contenido mineral en el agua y el número de horas que se usa la boquilla.

ACOPLES RAPIDOS: Hay un sello del anillo en O dentro de acople rápido hembra en la salida de agua de su unidad. Este anillo en O se deteriorará, o se saldrá de lugar si se permite que la unidad bombee sin la manguera de alta presión. Simplemente inserte un anillo de repuesto para corregir la pérdida. (Pueden comprarse anillos en O adicionales de su distribuidor).

AJUSTE DE TENSION DE CORREAS: Para mantener la máxima eficiencia de su lavadora de alta presión, puede ser necesario ajustar la tensión de las correas ocasionalmente. Siga el procedimiento que se describe a continuación.

1. Quite el protector de correas y afloje las cuatro pernos que de la bomba (Referencia A).
2. Gire el tornillo (Referencia B) en el sentido de las manecillas del reloj hasta observar que la correa se flexiona una 1/2 pulgada (1,3 cm) entre las poleas.
3. Apriete las pernos (Referencia A).
4. Ponga una regla tocando el costado de ambas poleas. Si es necesario, afloje los tornillos de una polea y muévala hacia adentro o hacia afuera para que quede correctamente alineada. Apriete los tornillos de la polia y verifique otra vez la tensión.
5. Vuelva a poner la protección y apriete los sujetadores firmemente.

AJUSTE DE TENSION DE CORREAS



PREPARACION PARA EL INVIERNO:

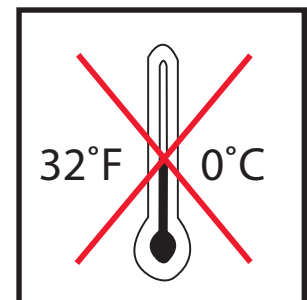
Será necesario preparar esta unidad para el invierno, para fines de Almacenamiento y transporte en temperaturas ambiente inferiores al punto de congelación. Esta unidad debe protegerse contra la temperatura más baja incurrida por las siguientes razones:

1. Si se congela cualquier parte del sistema de bombeo puede acumularse una presión excesiva en la unidad, lo que podría causar que la misma reviente resultando en lesiones posibles graves al operador o a los observadores.
2. El sistema de bombeo de esta unidad puede resultar dañado permanentemente si se congela. LOS DAÑOS POR CONGELACION NO ESTAN CUBIERTOS POR LA GARANTIA.

⚠️ ADVERTENCIA ¡RIESGO QUE LA UNIDAD REVIENTE! ¡NO ALMACENE/OPERE LA UNIDAD EN UN AMBIENTE HELADO!

Usted puede proteger su unidad siguiendo el procedimiento indicado abajo, si debe almacenarla en un lugar donde la temperatura puede descender por debajo de los 32°F.

1. Reúne los artículos siguientes:



ALMACENAMIENTO Y MANTENIMIENTO

- a. Dos recipientes de 5 galones.
 - b. Un galón de anticongelante. (recomienda un anticongelante seguro para el medio ambiente.)
 - c. Suministro de agua.
 - d. Una manguera de tres pies de largo con un D.I. de 1/2-3/4 y con un adaptador macho de manguera de jardín de 3/4 de pulgada.
2. Procedimiento:
- a. Para comenzar a preparar su unidad para el invierno, la misma debe hacerse funcionar y cebarse de acuerdo con los “Procedimientos de Arranque” indicados en la página 14-15.
 - b. Apague la unidad y corte el suministro de agua, después de hacerla funcionar y cebarla.
 - c. Elimine la presión del sistema apuntando la pistola a gatillo hacia una dirección segura y accionando el gatillo hasta que el flujo de agua cese de salir por la boquilla.
 - d. Asegure la pistola a gatillo en la posición OFF y retire la boquilla.
 - e. En un recipiente de cinco galones, mezcla el anticongelante y agua según las recomendaciones del fabricante para la temperatura lo que esta preparando para el invierno.

NOTA: La preparación apropiada para el invierno está basada en las instrucciones recomendadas del fabricante incluidas en la “Tabla de Protección” mostrada en el rótulo posterior de la mayoría de los recipientes de anticongelantes.

- f. Retire la manguera de suministro de agua de la unidad y fije seguramente la manguera de 3 pies a la conexión de entrada. Sumerja el otro extremo de la manguera del anticongelantes.
 - g. Apunte la vara hacia el recipiente vacío y arranque la unidad.
 - h. Accione el gatillo de la pistola hasta que el anticongelante comience a salir por la vara. Suelte el gatillo por 3 segundos, a continuación accione el gatillo de la pistola por 3 segundos. Continúe ciclando la pistola varias veces hasta que toda la mezcla anticongelante es extraída del recipiente por la acción de sifón.
 - i. Apague la unidad.
 - j. Separe la manguera de 3 pies de la unidad y drene todo el exceso restante de anticongelante dentro del recipiente de 5 galones.
 - k. Desconecte el conjunto de manguera/pistola/vara de la unidad y drene todo el exceso restante de anticongelante dentro del recipiente de 5 galones.
 - l. Almacene la manguera, la pistola y vara junto con la unidad, en un lugar seguro.
 - m. Almacene la solución anticongelante para un uso ulterior o descártela de acuerdo con las leyes de protección del medio ambiente correspondientes.
3. Procedimiento opcional:
- a. Apague la unidad y corte el suministro de agua.
 - b. Elimine la presión del sistema apuntando la pistola a gatillo hacia una dirección segura y accionando el gatillo hasta que el flujo de agua cese de salir por la boquilla.
 - c. Desconecte y drene la manguera, la pistola y la vara.
 - d. Arranque la unidad y permita que funcione hasta que toda el agua salga de la misma. Apague una vez que el agua ha cesado de fluir de la unidad.

NOTA: Debe ejercerse precaución al usar este procedimiento, ya que pueden formarse plaquitas de hielo de las gotas de agua, lo que podría causar que la unidad reviente si se arranca antes de estar completamente descongelada.

LOCALIZACION DE FALLAS

SINTOMA	CAUSA PROBABLE	SOLUCION
El motor no arranca.	Varios problemas del motor.	Refiérase al Manual del Motor que acompaña a su unidad.
	Los componentes de la unidad están congelados.	Permita que se descongele. Si se congela cualquier parte de la unidad, puede acumularse una presión excesiva en la unidad, lo que podría causar que la misma reviente, resultando en lesiones posibles graves al operador o a los observadores.
No hay descarga de la boquilla cuando se acciona el mecanismo del gatillo.	Suministro inadecuado de agua.	Asegúrese que la manguera tenga 3/4" de diámetro y que el suministro de agua entrante esté abierto.
	Doblez en la manguera de entrada de agua.	Elimine el doblez
Presión baja o fluctuante	Doblez en la manguera de descarga de alta presión.	Reemplace la manguera.
	Está obstruido el tamiz de la entrada de agua.	Saque el tamiz, limpie o reemplace.
	La bomba absorbe aire (Eliminado el cebado)	Ajuste todas las conexiones de entrada de agua. Elimine dobleces en la tubería de entrada.
	No está en el modo de alta presión.	Conecte seguramente la boquilla de alta presión
	La boquilla de rociado está obstruida o gastada.	Saque, limpie o reemplace.
	El conjunto de la válvula en la bomba está dañado u obstruido.	Saque, inspeccione, limpie o reemplace.
	Los empaques de la bomba están gastados.	Reemplace los empaques.
	La válvula de derivación no opera correctamente.	Repare o reemplace.
Pérdida de agua de la "Válvula de descarga térmica"	La temperatura del agua es demasiado elevada.	No permita que la unidad opere en el modo de derivación (con la pistola a gatillo cerrado) durante más de tres minutos.
	Válvula defectuosa.	Reemplace.
El agua parece lechosa o espumosa	Agua en el aceite	Cambie la bomba de aceite. Llene al nivel apropiado.
Pérdida de aceite de la unidad	¡¡¡¡¡NO LA USE!!!!	Llame al Servicio al Cliente.
Cuando la pistola de gatillo está asegurado en la posición "OFF", el agua fluye desde la boquilla.	La pistola funciona mal.	Repare o reemplace.

DECLARACIÓN DE GARANTÍA

El fabricante garantiza que todas las piezas (excepto aquellas a las que se hace referencia abajo), de su nueva lavadora a presión libres de defectos en materiales y mano de obra durante los periodos siguientes:

Para un curso de la vida contra congelar y agrietarse:

Colector de bomba

Por siete (7) limitado años a partir de la fecha original de compra:

Bomba de Alta Presión

Por dos (2) limitado año a partir de la fecha original de compra:

Unidad Base Tuberías Polea Correa

Por un (1) limitado año a partir de la fecha original de compra:

GFCI Encender de selector

Contacto de entrada Sobrecarga

Por noventa (90) días a partir de la fecha original de compra:

Manguera de alta presión Pistola de gatillo

Válvulas de descargar Enciende/ apaga la luz

Las piezas defectuosas que no están sujetas a deterioro causado por el uso serán reparadas o reemplazadas a nuestra opción durante el periodo de garantía. En todo caso, el reembolso está limitado al precio de compra pagado.

EXCLUSIONES

1. El motor está cubierto bajo una garantía separada proporcionada por el fabricante respectivo y está sujeta a los términos en ella establecidos.
2. Partes de desgaste normal:
Empaques de las Bombas Válvulas de la Bomba
Boquillas Válvulas del Detergente Correas
Círculo Connexión Rapida / El Tornillo Conecta
3. Esta garantía no cubre las piezas dañadas debido al deterioro normal causado por el uso, mala aplicación, mal uso, operación a velocidades, presiones o temperaturas diferentes a las recomendadas. Las piezas dañadas o gastadas a causa del uso de líquidos cáusticos o por la operación en medios ambientes abrasivos o corrosivos o bajo condiciones que causan cavitación de la bomba no están garantizadas. La falla en seguir los procedimientos recomendados de operación y mantenimiento también cancela la garantía.
4. El uso de piezas de repuesto diferentes a las genuinas cancelará la garantía. Las piezas devueltas, con franqueo pagado a un Centro de Servicio Autorizado, serán inspeccionadas y reemplazadas, libre de cargos, si se determina que están defectuosas y sujetas a la garantía. No existen garantías que se extiendan más allá de la descripción contenida aquí. Bajo ninguna circunstancia el fabricante será responsable por la pérdida de uso de la unidad, pérdida de tiempo, inconvenientes, pérdida comercial o daños consecuentes.

